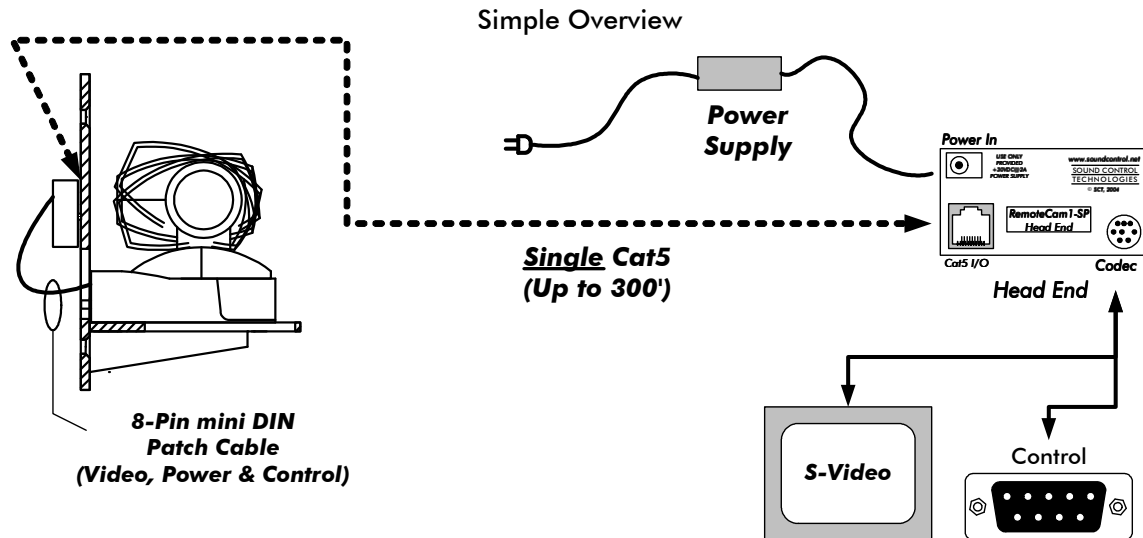


The Cat5 RemoteCam1-S family is offered as a unified electronics platform for cost effective remote Pan Tilt Zoom (PTZ) camera installations. This system, offered in popular kit form, provides a high quality wall bracket for supporting a camera, a universal power supply, molded color coded cable sets and interface electronics.

Regulated camera power, remote control and S-Video are carried on a single standard Cat5 UTP wire for distances up to 300'.



This technique of integrating PTZ cameras reduces installation hardware and labor for each camera position. All hardware and cables are available with these kits to cover the most common video and video conferencing applications for A/V Integrators.

SCT is now offering four complete kits for a wide variety of cameras and optional cable kits for popular video codec configurations:

### Camera Kit Descriptions:

RC1-Sx™	General purpose interface for Canon, Elmo & Sony
RC1-SP™	Polycom® Powercam™
RC1-ST™	Tandberg® Wave-II™ <sup>1</sup>
RC1-SW(x/P/T/B)	Single gang wall plate version
RC1-SU(-/P/T/B)	In-line enclosure version

### Optional Codec-Specific Cables:

Polycom	Codec Selection Guide
Sony	Codec Selection Guide
Tandberg	Codec Selection Guide

**Full specifications are available on our web site at <http://www.soundcontrol.net>**

Technical specifications are subject to change. Please contact SCT to determine if there are any changes that may apply to your applications.

All Trademarks are the property of their respective owners. No claim is made to any marks other than those expressly the property of Sound Control Technologies, Inc.

<sup>1</sup> Tandberg Wave-II™ camera control loop limited to manufacturers specification

## Step 1: Select a camera

Camera Manufacturer	Camera Model
Canon®	VC-C4
	VC-C50i <sup>2</sup>
Elmo®	PTC-100
Polycom®	Powercam™
Sony®	EVI-D70
	EVI-D100
Tandberg®	Wave-II™ <sup>3</sup>

## Wall Mount Kit Contents (Cameras not included)

Camera Cable	Head-End & Break-Out	Power Supply	Camera Bracket
Sx001	Sx003	WPS-12	BRK1
Sx001	Sx003	WPS-12	BRK1
Sx001	Sx003	WPS-12	BRK1
Sx001	Sx003	WPS-12	BRK1
Sx001	Sx003	WPS-12	BRK1
ST001	Sx003	WPS-12	BRK1

Order Kit Master
<b>RC1-Sx</b>
<b>RC1-Sx</b>
<b>RC1-Sx</b>
<b>RC1-SP</b>
<b>RC1-Sx</b>
<b>RC1-Sx</b>
<b>RC1-ST<sup>2</sup></b>

## Optional general purpose cables

<b>Sx005</b>	S-Video, 1.5 Meter	
<b>Sx006</b>	DB9-F <> DB9-F, Null Modem w/IR Out, 1.5 Meter	Telemetry Control Panel
<b>Sx007</b>	S-Video to composite video converter cable (passive), 6"	
<b>Sx008</b>	DB9-F <> 8P mini DIN for	Sony RM-BR300 Joystick Controller
<b>Sx009</b>	8P mini DIN F <> 8P min DIN M Extension cable, 6'	
<b>GPC-1</b>	Sx002 – Camera "Loop Out" interface Sx004 – Head End DB9 Interface	RC1-Sx & RC1-SB Camera Control Loop Cable Kit (Visca Loop)

## Step 2: Optional Videoconference codec-specific cable sets

Polycom® & Port	VSX-7000 2nd Camera	VSX-7000s 2nd Camera	VSX-7000e Main Camera	VSX-8000 Main Camera	VSX-8000 2nd Camera	VSX-7000e 2nd Camera
Control	SP002	SP002	SP003	SP003	SP004	SP004
Video	Sx005	Sx005	Sx005	SP005	Sx005	Sx005
<b>Cable Set</b>	<b>VSX-1</b>	<b>VSX-1</b>	<b>VSX-2</b>	<b>VSX-3</b>	<b>VSX-4</b>	<b>VSX-4</b>

Sony® & Port	PCS-G70 Main Camera	PCS-G70 2nd Camera
Control	SS001	Sx004
Video		Sx005
Control Loop		Sx002
<b>Cable Set</b>	<b>PCS-1</b>	<b>PCS-2</b>

Tandberg® & Port	770, 880, 990 2nd Camera	3000MXP Main Camera	3000MXP 2nd Camera	6000MXP Main Camera	6000MXP 2nd Camera
Control	ST003	ST004		ST003	
Video	Sx005		Sx005	Sx005	Sx005
Control Loop			ST002		ST002
<b>Cable Set</b>	<b>MXP-1</b>	<b>MXP-3</b>	<b>MXP-2</b>	<b>MXP-1</b>	<b>MXP-2</b>

<sup>2</sup> Requires VC-EX3 adapter from Canon, see manufacturers specification

<sup>3</sup> Tandberg Wave-II camera control loop distance subject to manufacturers limitation