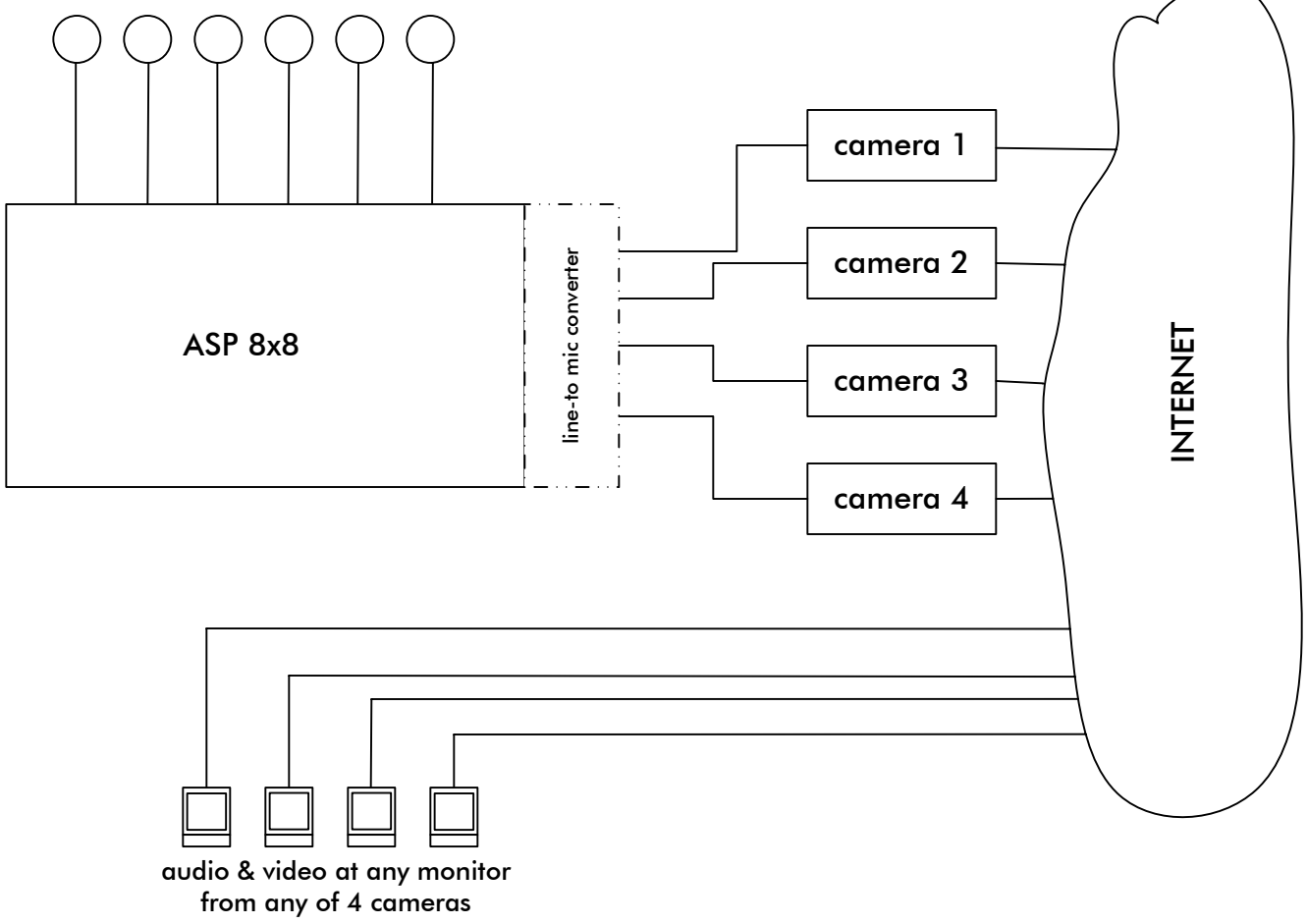


6 SCM-2 mics



Drawn by: ACN/jlt/SCT	SOUND CONTROL TECHNOLOGIES	28 Knight Street
Checked by:		Norwalk, CT., USA 06851
		Phone (203) 854-5701
		Fax (203) 854-5702
	Trading Floor Monitor- Alternate	
Drawing: bd031203.vsd		
© SOUND CONTROL TECHNOLOGIES, INC. 2004		Rev: -