



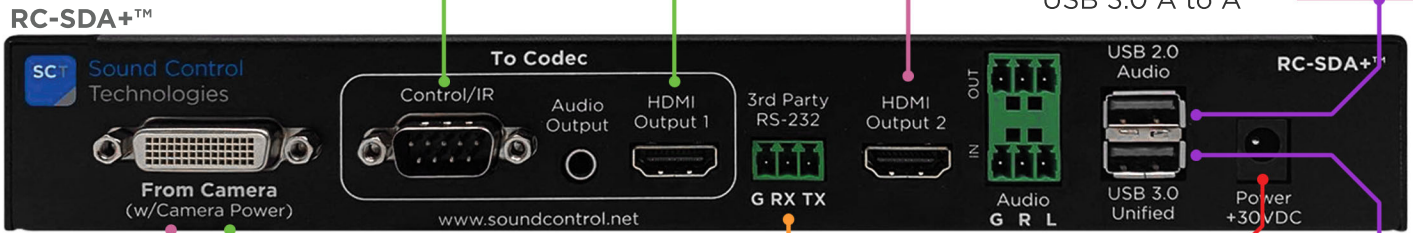
Poly RPG300, RPG500, RPG700 & G7500

RCC-H030-1.0M
HDCI Y Cable to HDMI/DB9

3rd Party
HDMI Device

[2] **RCC-M003-1.0M**
USB 3.0 A to A

3rd Party
USB Host
Device



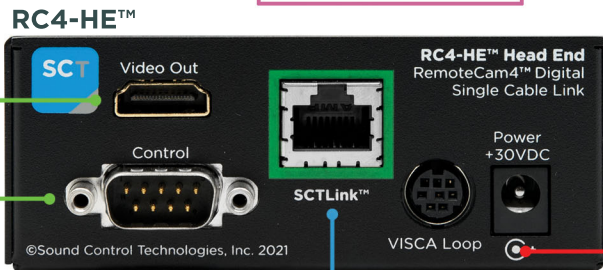
* Optional Configurations:
• **Poly-Supplied Cable**, or
• **RC7-PD2™ Kit**, or
• **RC4-E4P™ Kit** (shown)

RCC-M002-1.0M
3-Pin Phoenix to DB9-F

3rd Party
RS232 Controller

WPS-12 30VDC
100-240V 47-63Hz
Power Supply

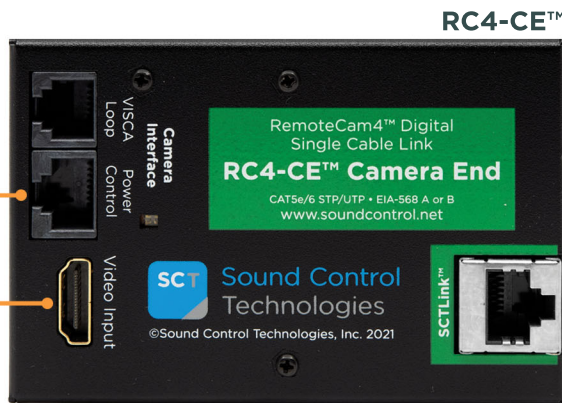
3rd Party
USB Host
Device



RCC-H030-1.0M
HDCI Y Cable to HDMI/DB9
(Supplied only with RC4-E4P™ Kit)

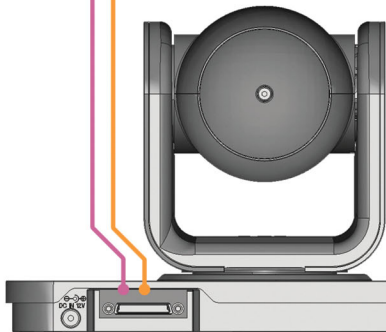
WPS-12 30VDC
100-240V 47-63Hz
Power Supply

Poly-Supplied
#2457-64356-001 Cable
3 Meter HDCI to Mini HDCI
Note: 10 Meter Cable
is not supported



SCTLink™ Cable
Power, Control, Audio & Video
The **SCTLink™** cable must always
be a single, point-to-point CAT cable
with no couplers or interconnections.

RCC-C030-0.4M
Mini-HDCI Y Cable to RJ45/HDMI
(Supplied only with RC4-E4P™ Kit)



Poly EagleEye IV

Module Dimensions

RC4-CE™: H: 0.93" (23mm) x W: 2.5" (63mm) x D: 3.741" (95mm)
RC4-HE™: H: 1.504" (38mm) x W: 3.813" (96mm) x D: 3.617" (91mm)
RC-SDA+™: H: 1.398" (35mm) x W: 9.713" (246mm) x D: 4.875" (123mm)