

**RCC-C030-2.0M**  
Mini-HDCI Y Cable  
to HDMI Input  
to RJ45-F Adapter  
(No Camera Power)

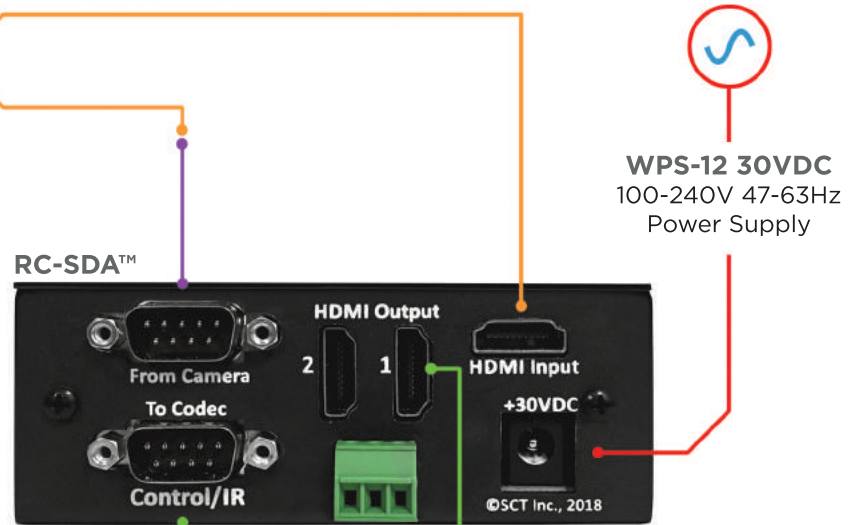
**RCC-M009 Adapter**  
RJ45-F to DB9-F

**Poly-Supplied**  
External PSU Required  
#1465-52748-040

**Dipswitch Position**  
for use with Poly Codec

<b>1</b>	<b>2</b>	<b>3</b>	<b>4</b>
UP	DOWN	UP	UP

Note: **S1** on front of RC-SDA™ will reset tracking mode ON.



**RCC-H030-1.0M\***  
\*supplied only with RC4-E4P™ kit.  
HDCI Y Cable to HDMI/DB9



### Module Dimensions

RC-SDA™: H: 1.518" (38mm) x W: 3.814" (96mm) x D: 3.52" (89mm)