

RCC-C030-2.0M
Mini-HDCI Y Cable
to HDMI Input
to RJ45-F Adapter
(No Camera Power)

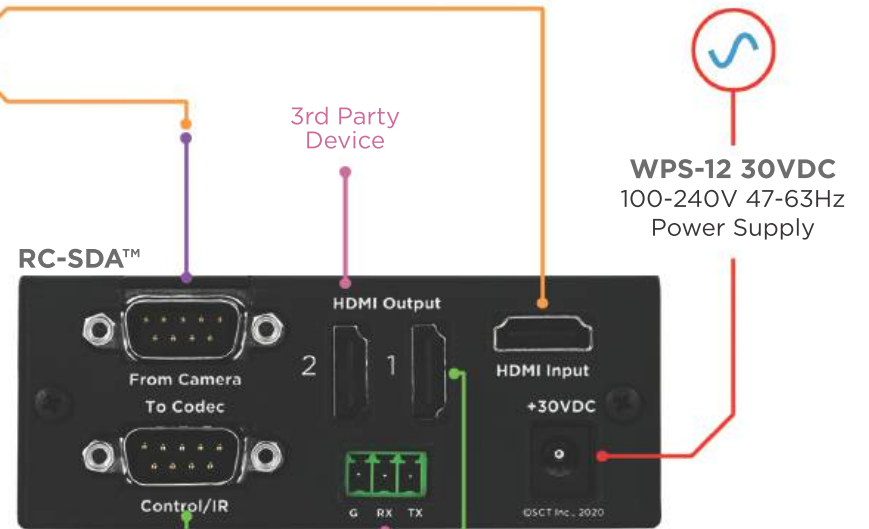
RCC-M009 Adaptor
RJ45-F (RCC-C030-2.0M)
to DB9-F (RC-SDA™)

Poly-Supplied
External PSU Required
#1465-52748-040

Dipswitch Position
for use with Poly Codec

1	2	3	4
UP	DOWN	UP	UP

Note: **S1** on front of RC-SDA™ will reset tracking mode ON.



RCC-H030-1.0M*
*supplied only with RC4-E4P™ kit.
HDCI Y Cable to HDMI/DB9



Module Dimensions

RC-SDA™: H: 1.518" (38mm) x W: 3.814" (96mm) x D: 3.52" (89mm)