



### LVB-CQC-020™ Vaddio Retrofit for Cisco Quad Camera

#### INCLUDED PART LIST

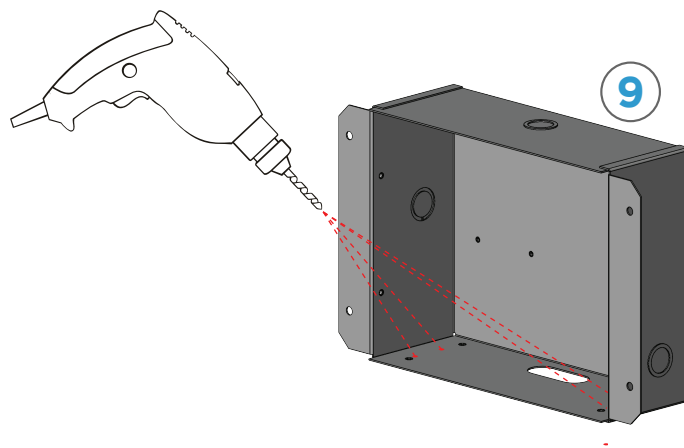
- No. 1** Camera Plate, 810-1105 (Qty 1)
- No. 2** #10x1/2" Flat Head Phillips Drilling Screw (Qty 4)
- No. 3** Camera End Bracket, 806-1105 (Qty 1)
- No. 4** 4-40x1/4" Flat Head Phillips Screw, Blk (Qty 2)
- No. 5** Faceplate Bracket, 814-1105 (Qty 2)
- No. 6** 6-32x5/16" Truss Head Phillips Screw, Wh (Qty 2)
- No. 7** 6-32x1/2" Oval Head Slotted Screw, Wh (Qty 2)
- No. 8** Faceplate for Vaddio Restrofit 020, 815-1105 (Qty 1)

#### PARTS NOT INCLUDED

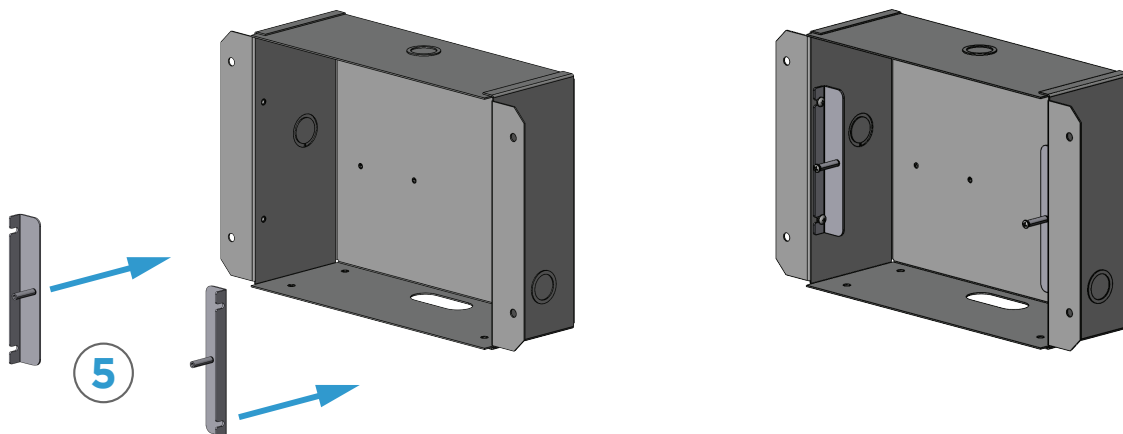
- No. 9** VADDIO 999-2225-020 or equivalent Wall Box (Qty 1)

### ASSEMBLY INSTRUCTIONS

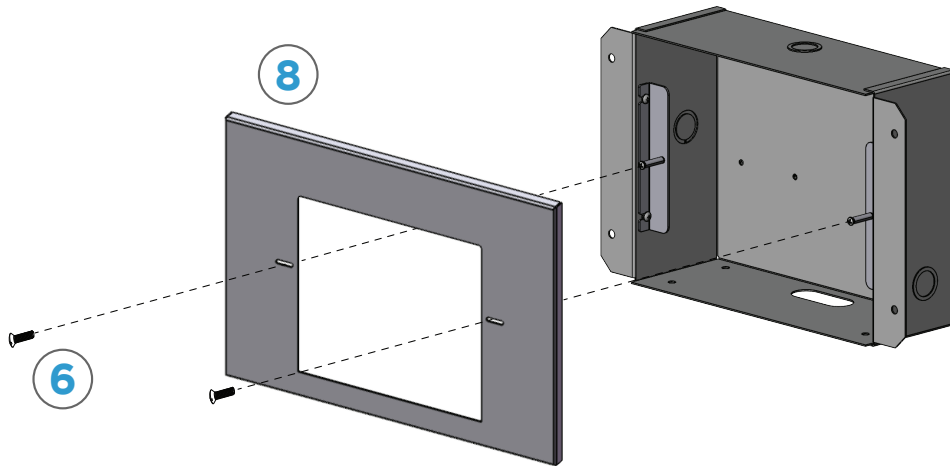
**STEP 1:** Drill four 1/8" pilot holes into base of Wall Box (No. 9, Qty 1) using the template on page 4 as a guide.



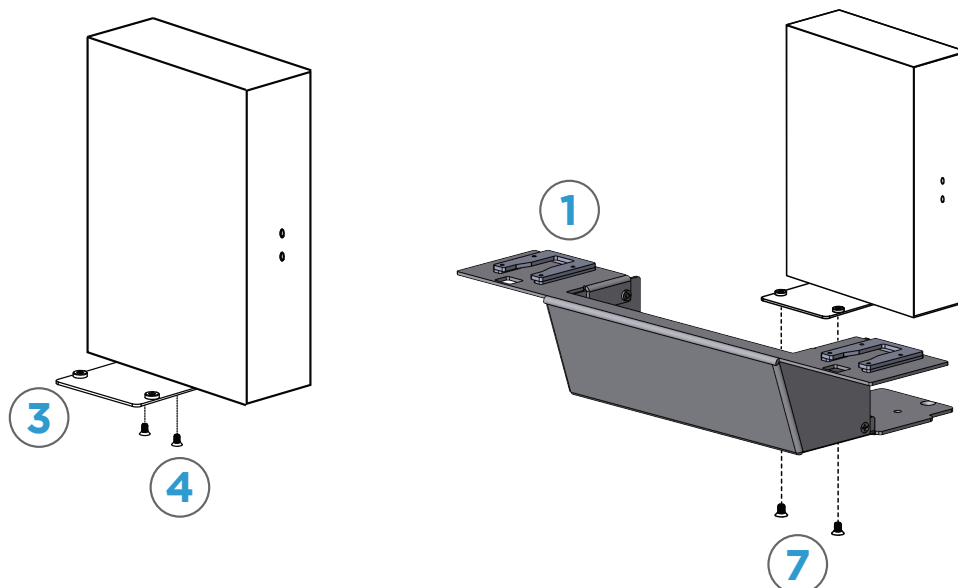
**STEP 2:** Attach Faceplate Brackets (No. 5, Qty 2) to Wall Box by loosening screws in sides of wall box, inserting brackets, and retightening.



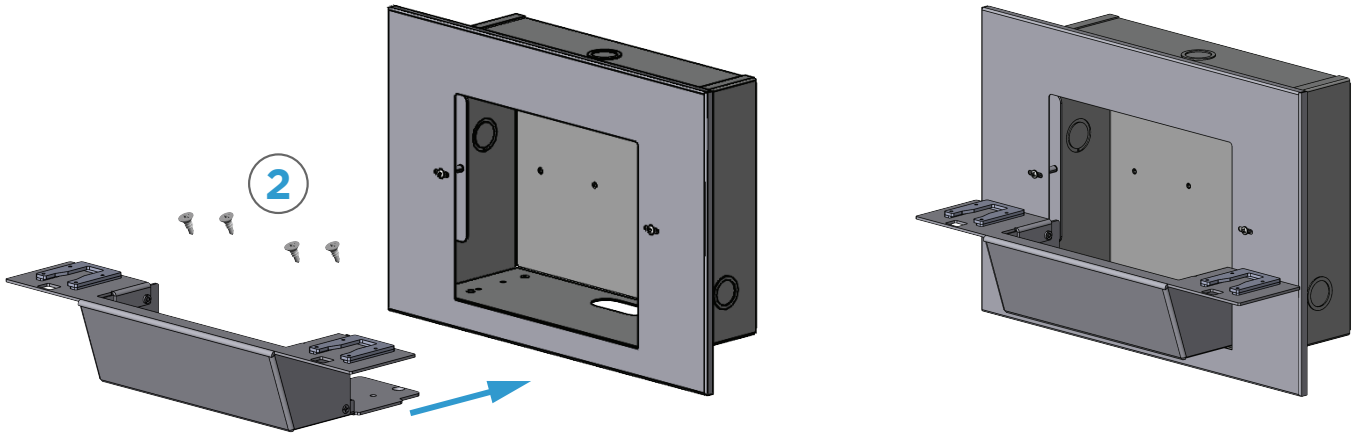
**STEP 3:** Attach Faceplate (No. 8, Qty 1) to Faceplate Brackets using 6-32x5/16" White Truss Head Phillips Screws (No. 6, Qty 2).



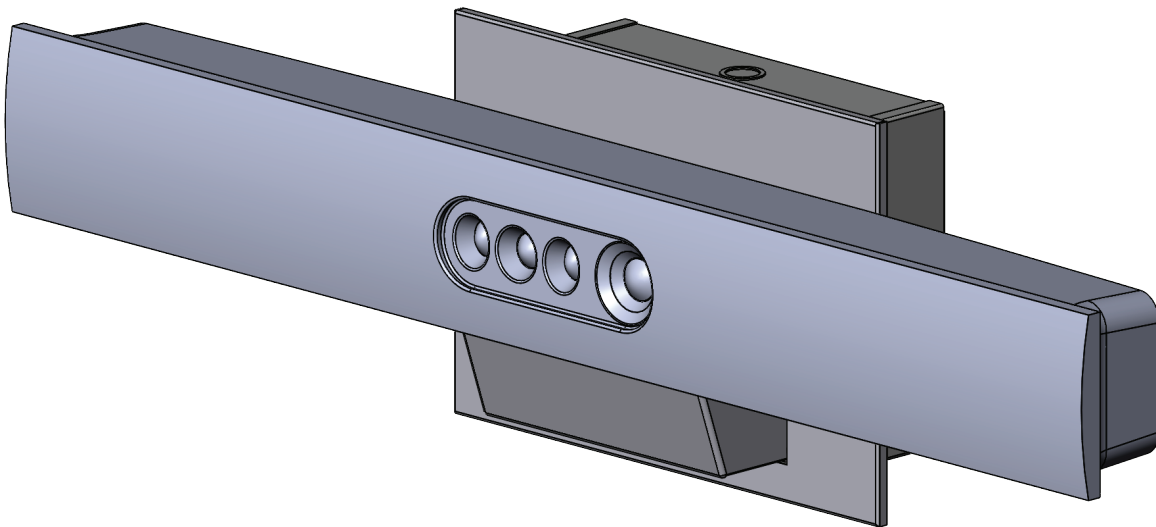
**STEP 4 (Optional):** If also integrating an SCT RC8-CQC™ extension kit, attach Camera End Bracket (No. 3, Qty 1) to SCT RC8-CE™ module using 4-40x1/4" Flat Head Phillips Screws (No. 4, Qty 2). Then attach the Camera End Bracket to Camera Plate (No. 1, Qty 1) using 6-32x1/2" White Slotted Screws (No. 7, Qty 2).



**STEP 5:** Attach Camera Plate to Wall Box using #10x1/2" Flat Head Phillips Drilling Screws (No. 2, Qty 4). IMPORTANT NOTE: Do not overtighten these screws as it may result in a poor attachment of the camera plate to the wall box.



**STEP 6:** Attach Cisco QuadCam to Camera Plate.



DRILL 4  
1/8" Pilot Holes

$\phi .125$

*View From Bottom*

*PRINT OUT  
AT  
100% Portrait  
For Drill Template  
8 1/2" x 11"*

6 1/4"

Fold or Cut and  
Place Against  
Inside Back Wall  
of Box

5/8"

2 1/2"

2 3/8"

Inside Box Wall

