



LVB-CQC-118™ Vaddio Retrofit for Cisco Quad Camera

INCLUDED PART LIST

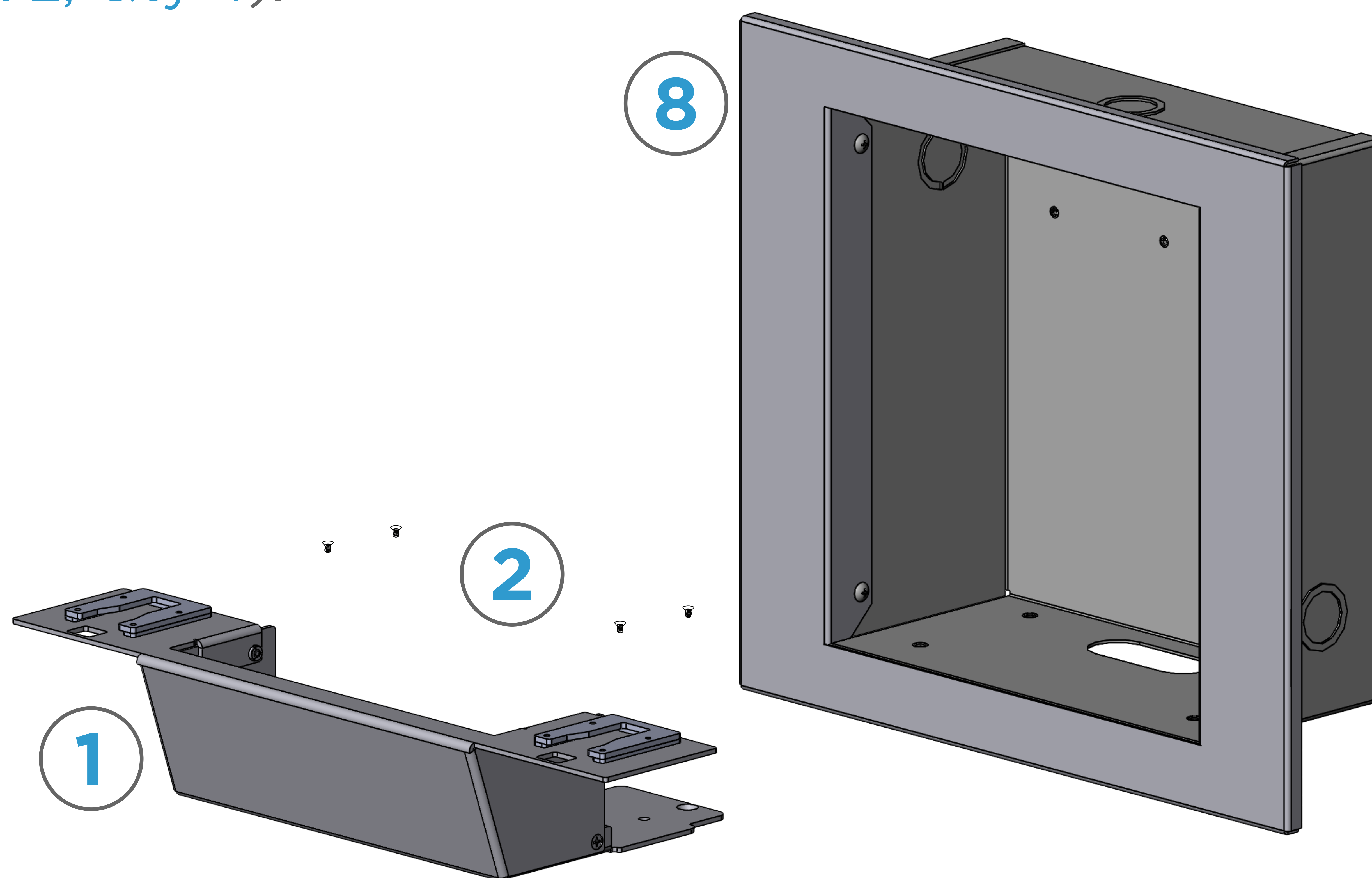
- No. 1** Camera Plate, 810-1105 (Qty 1)
- No. 2** 10-32x1/4" Flat Head Phillips Screw (Qty 4)
- No. 3** Camera End Module Bracket, 806-1105 (Qty 1)
- No. 4** 4-40x1/4" Flat Head Phillips Screw, Blk (Qty 2)
- No. 5** Faceplate Cover, 807-1105 (Qty 1)
- No. 6** 6-32x1/2" Oval Head Slotted Screw, Wh (Qty 2)
- No. 7** 6-32x3/8" Pan Head Phillips Screw (Qty 2)

PARTS NOT INCLUDED

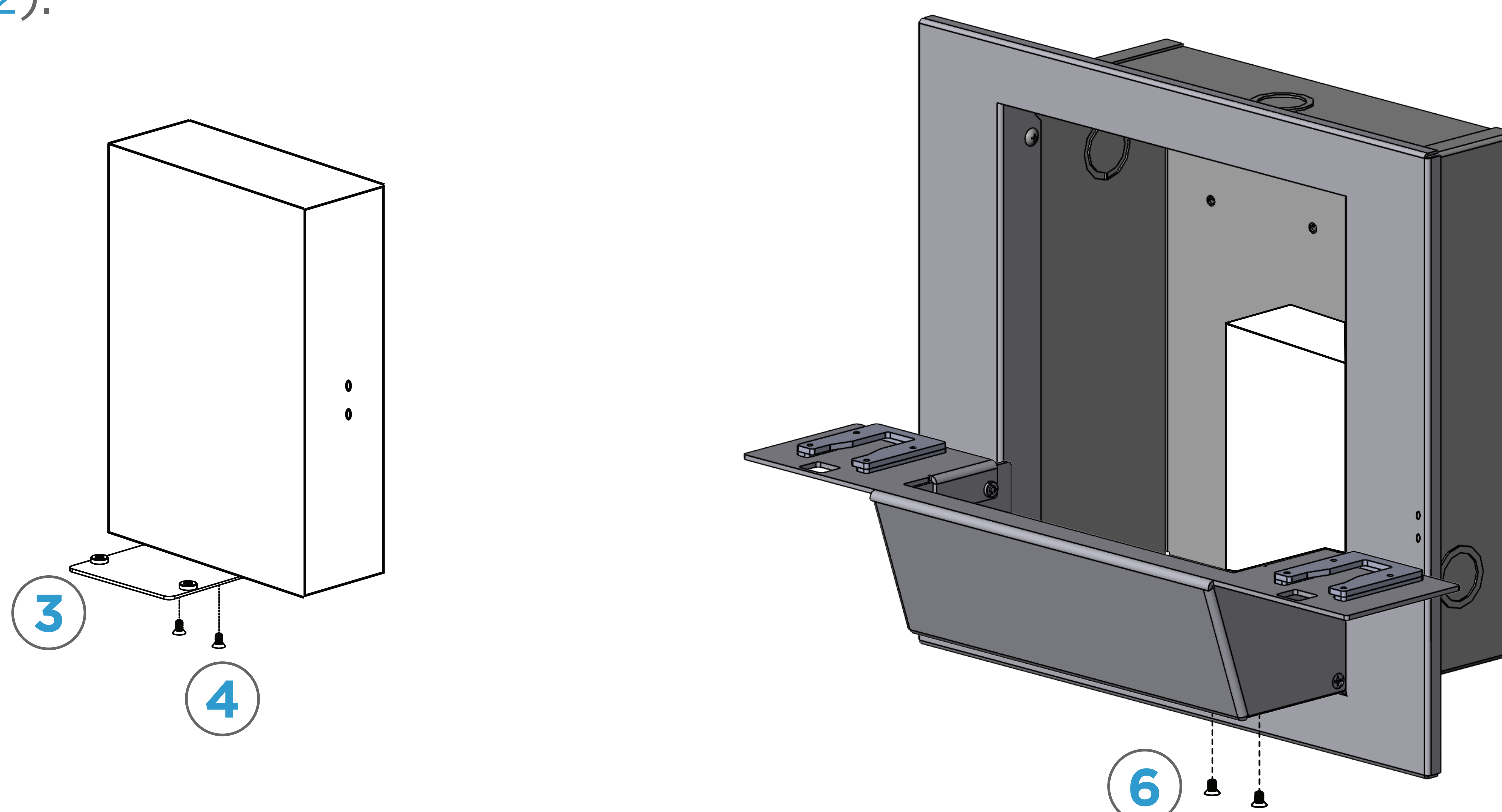
- No. 8** VADDIO 999-2225-118 or equivalent Wall Box (Qty 1)

ASSEMBLY INSTRUCTIONS

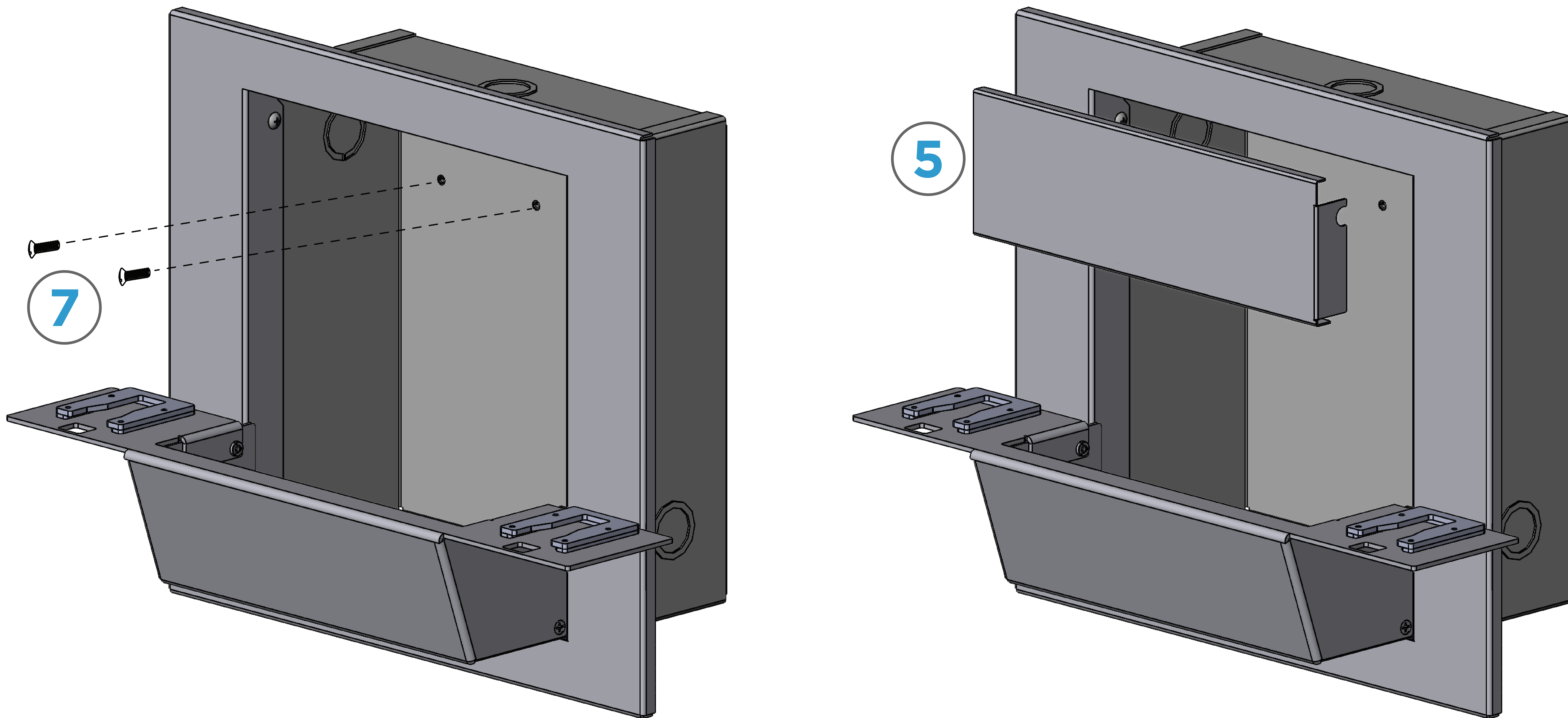
STEP 1: Attach Camera Plate (No. 1, Qty 1) to Wall Box (No. 8, Qty 1) using 10-32x1/4" Flat Head Phillips Screws (No. 2, Qty 4).



STEP 2 (Optional): If integrating an SCT RC8-CQC™ extension kit, attach Camera End Bracket (No. 3, Qty 1) to SCT RC8-CE™ module using 4-40x1/4" Flat Head Phillips Screws (No. 4, Qty 2). Then attach the Camera End Bracket to Camera Plate with 6-32x1/2" white Oval Head Slotted Screws (No. 6, Qty 2).



STEP 3: Partially install 6-32x3/8" Pan Head Phillips Screws (No. 7, Qty 2) into Wall Box. Then install Faceplate Cover (No. 5, Qty 1) and tighten screws to secure.



STEP 4: Attach Cisco QuadCam to Camera Plate.

