



BEFORE YOU GET STARTED: Please make sure that you have all parts indicated before you begin mount assembly, and that any in-wall boxes are mounted in accordance with commercial construction best practices.

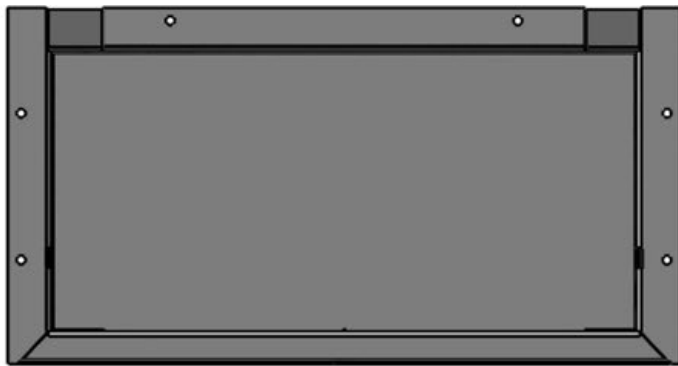
INCLUDED PART LIST

No. 1 RC-CUBBY Back Box (Qty 1)

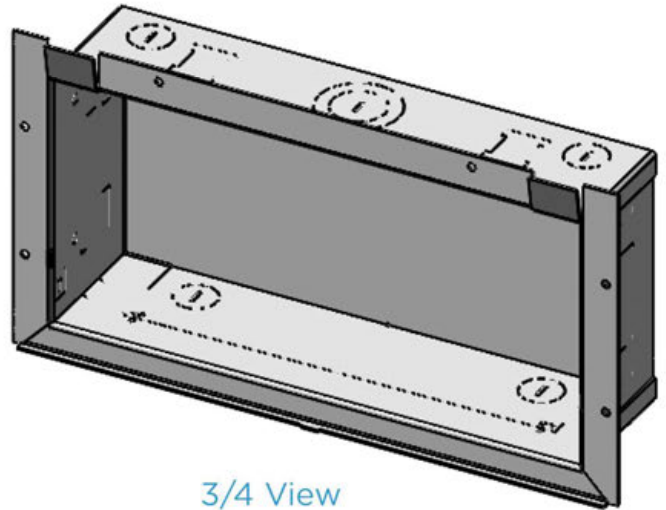
No. 2 Wall Clamp Assembly (Qty 4)

+ **KIT-SPECIFIC** Bezel, Camera Plate and Hardware

No. 1 • RC-CUBBY Back Box

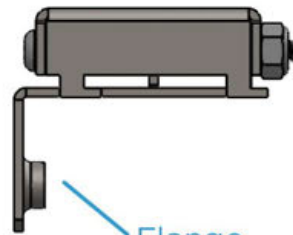
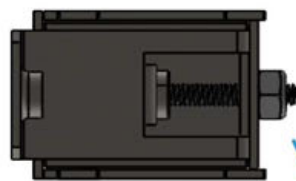
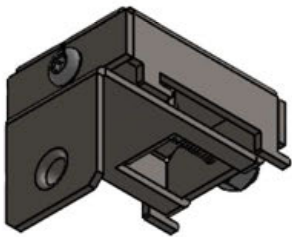


Front View

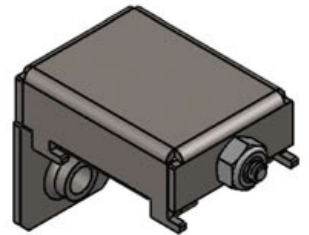


3/4 View

No. 2 • Wall Clamp Assembly *(Shown Retracted)*



Flange

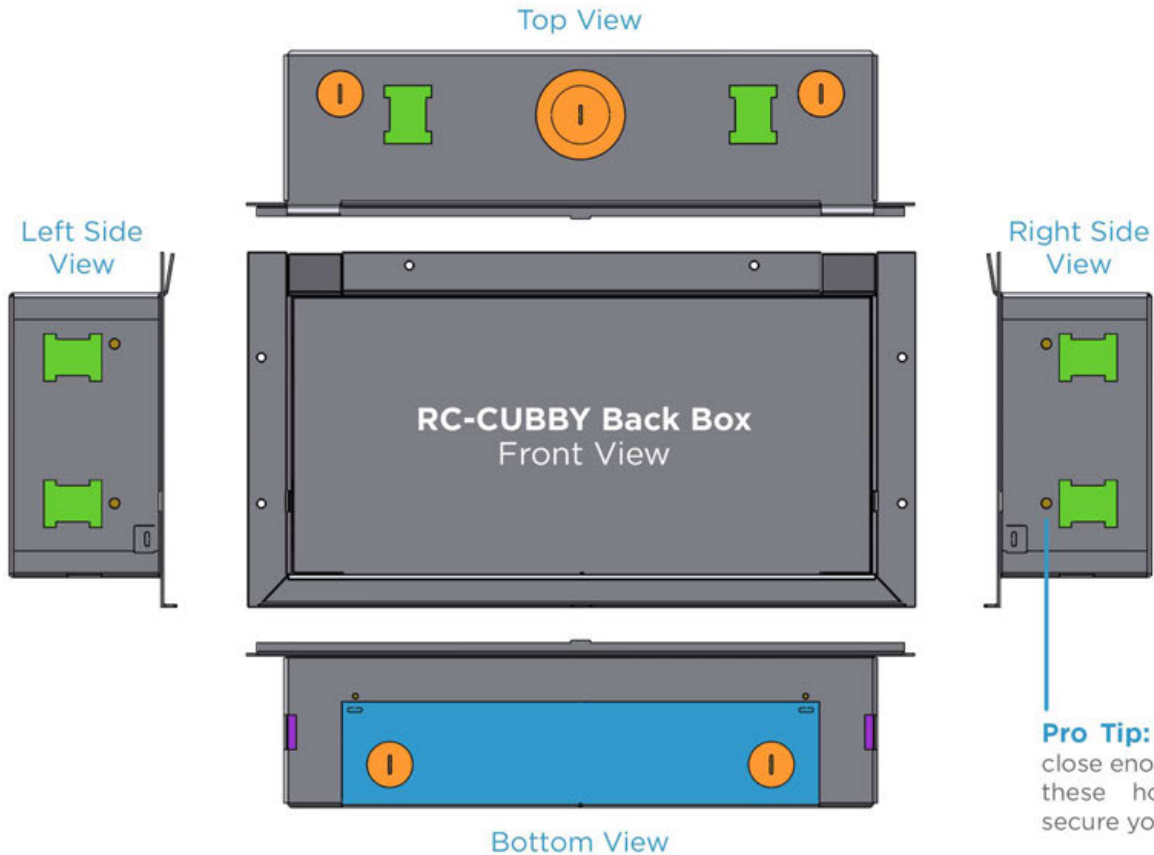


Pro Tip: If you're having trouble fitting the wall clamp assembly into the knockout space, you can adjust the arm length by turning the nut.

**One
Person
Install**



Thank you for your purchase! Sound Control Technologies' **RC-CUBBY™ Series** camera mounts offer a simple, one-person installation technique, facilitating easy deployment and results in an extremely clean look. You won't even know we're there!



ASSEMBLY INSTRUCTIONS

Part One: Cut the Wall Opening & Prepare the RC-Cubby™ Back Box

Step 1: Making sure to note where the studs are, choose the desired lens centerline and mark on wall.

Step 2: Using the SCT [Cut-Out Template Sheet](#), align the centerline (CL) mark from **Step 1** to the CL of your chosen camera model on the template. Make sure the template is level and centered left-right. Tape the template to the wall and cut the wall opening as indicated.

Step 3: Locate the knockouts on the RC-CUBBY Back Box (**No. 1, Qty 1**), **pictured above**.

- [5] **Cable Knockouts**
- [1] **Rectangular Knockout**
- [2] **Slot Knockouts**
- [6] **Clamp Assembly Knockouts**

Recommended Knockouts

RC4/RC5™ Series: TBD

RC6™ Series: TBD

RC7™ Series: [1] top Cable KO; [2-4] Clamp Assy KO's; [1] Rectangular KO + [2] Slot KO's

RC8™ Series: [1] top Cable KO; [2-4] Clamp Assy KO's; [1] Rectangular KO + [2] Slot KO's

Safety Enclosure: TBD

Please Note: Even though we provide four wall clamps, only one clamp on each side is needed. The two additional provided clamps can be used for extra support, if desired.

Step 4: Insert the RC-CUBBY Back Box (**No. 1**) into the wall cut-out.

Step 5: Before inserting the [Wall Clamp Assemblies \(No. 2\)](#), check that the flange is in the retracted position.



5a: Insert the **Wall Clamp Assembly** by orienting it with the screw head facing you (**5a: Front View**) at about a 45° angle *toward* the front of the knockout opening. The clamp arm will catch *behind* the leading edge (closest to you) of the knockout opening. (**5b: Side View**)

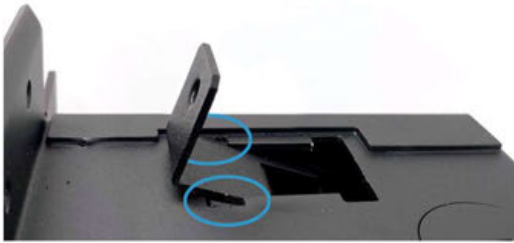


5a: Side View

Please Note: The side views below will not be visible once the backbox is inserted into the wall, but shown to help visualize how the clamp assemblies are installed in the knockout openings.

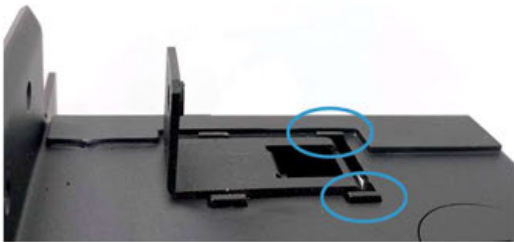


5a: Front View



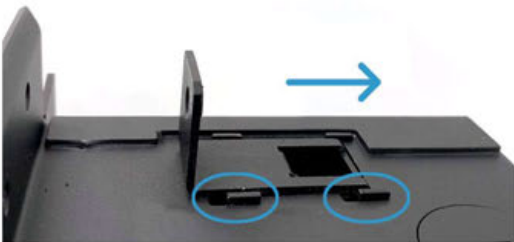
5b: Side View

5b: As you angle the clamp, make sure to line up the front hooks (**circled in 5b: Side View**) with their appropriate slots in the knock out.



5c: Side View

5c: Once the front of the clamp assembly is in place, you will be able to press in the rear hooks (**circled in 5c: Side View**).



5d: Side View

5d: Forcefully push the clamp assembly towards the rear of the backbox until you hear the hooks click into place (**Shown in 5d: Side View**). Secure the back box to the wall by tightening the screw in each clamp assembly, turning clockwise; ***Do not over tighten!***

Step 6: If you're also integrating one of our camera extension kits, feed the SCTLINK™ cable through the cable knockout.

ASSEMBLY INSTRUCTIONS

Part Two: Prepare the Camera Plate (and RemoteCam™ Camera End Module if also integrating extension kit).

What are you installing?

RC7-PD2™ supporting the Poly Director II System

Page 4

RC8-CQC™ supporting the Cisco Quad Camera

Page 7



RC-CUBBY-PD2™ supporting the Poly Director II System

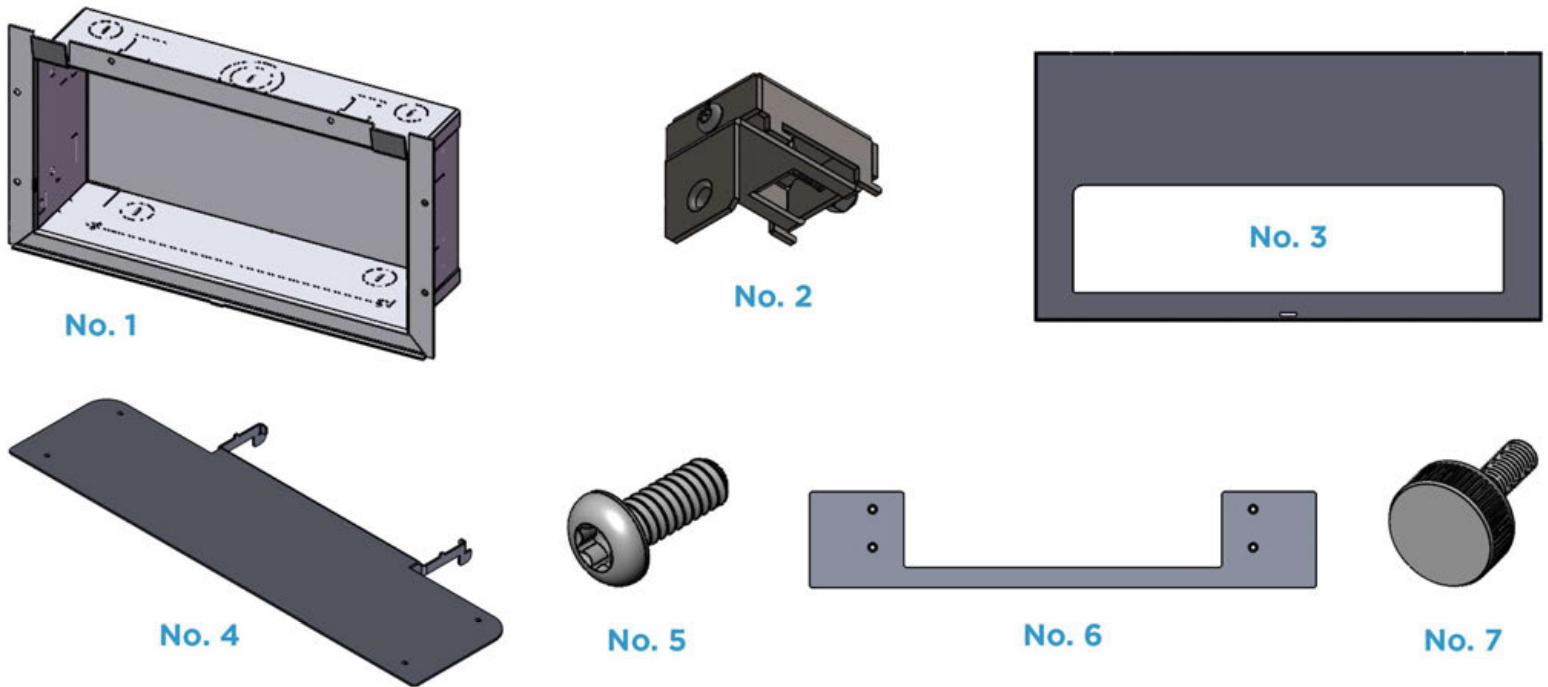
INCLUDED KIT-SPECIFIC PART LIST

- No. 1** RC-Cubby Back Box (Qty 1)
- No. 2** Wall Clamp Assembly (Qty 4)
- No. 3** Bezel BBZ1-0 (Qty 1)
- No. 4** Camera Plate (Qty 1)
- No. 5** 6-32x3/8" Torx Pan Head Screw, Zinc (Qty 4)
- No. 6** Adaptor Plate ADP1-0 (Qty 1)
- No. 7** M3x10 Thumb Screw, Black (Qty 4)

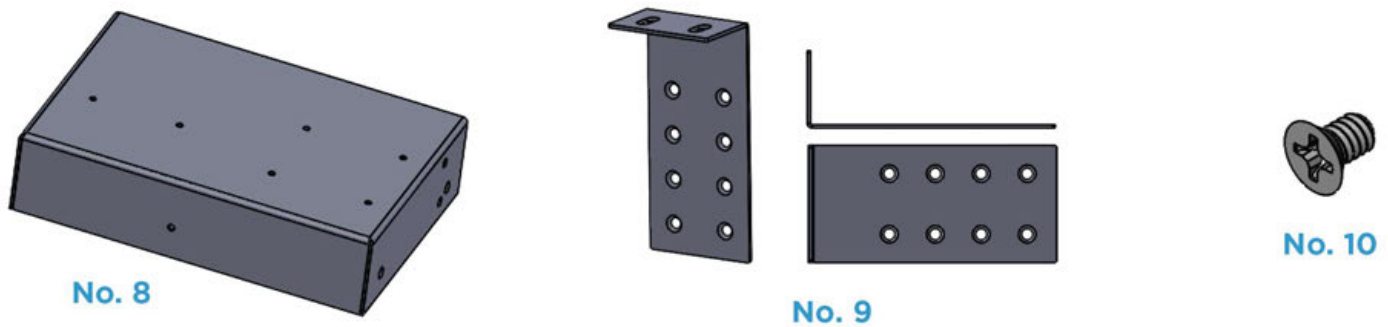
PARTS NOT INCLUDED

- No. 8** RC7-CE™ Camera End Module (included in RC7-PD2-K™ Kit) (Qty 1)
- No. 9** Camera Module Mounting Ears (included in RC7-PD2-K™ Kit) (Qty 2)
- No. 10** 4-40x1/4" Flat Head Screw, Black (included in RC7-PD2-K™ Kit) (Qty 4)
- No. 11** Poly Director II System (Qty 1)

WHAT'S IN THE BOX (RC-CUBBY-PD2™)



WHAT'S NOT IN THE BOX (included in the RC7-PD2-K™ Camera Extension Kit)

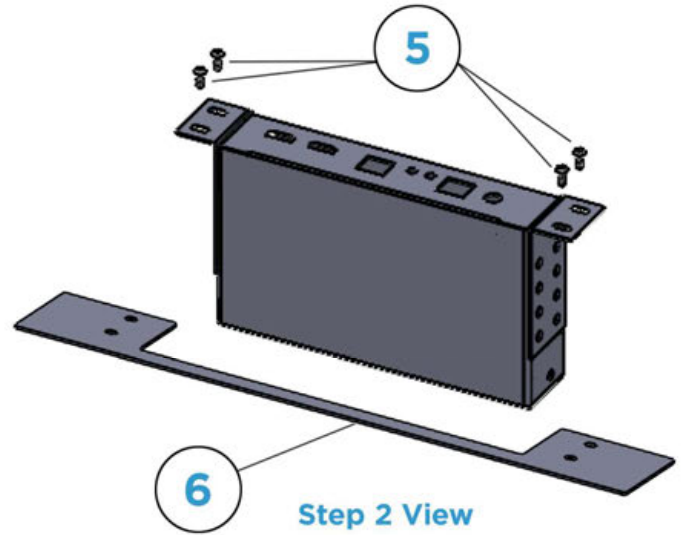
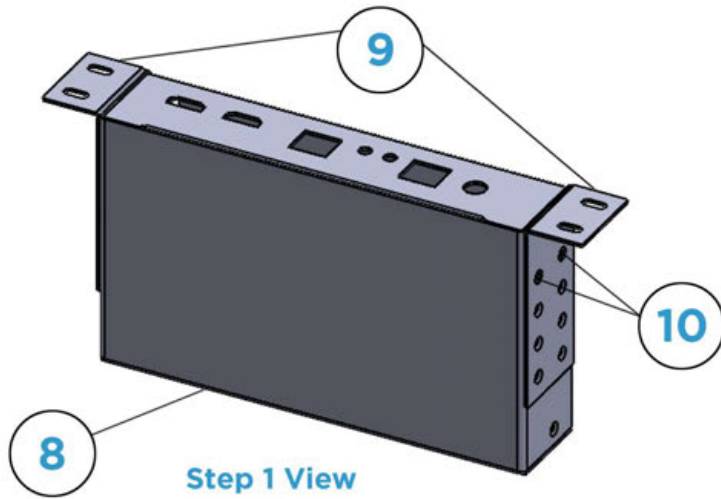


ASSEMBLY INSTRUCTIONS

Step 1: If also integrating an RC7-PD2™ Camera Extension Kit, use the black 4-40x1/4" Flat Head Screws (No. 10, Qty 4) to attach the Camera Module Mounting Ears (No. 9, Qty 2) to your RC7-CE™ Camera Module (No. 8, Qty 1). Use the first set of holes, closest to the flange, and make sure the flange is pointed toward the connectors (i.e. HDMI, Ethernet, SCTLINK™) on the rear panel of the module. See "Step 1 View" image on Page 5 for reference.



RC-CUBBY-PD2™ supporting the Poly Director II System ASSEMBLY INSTRUCTIONS...cont.



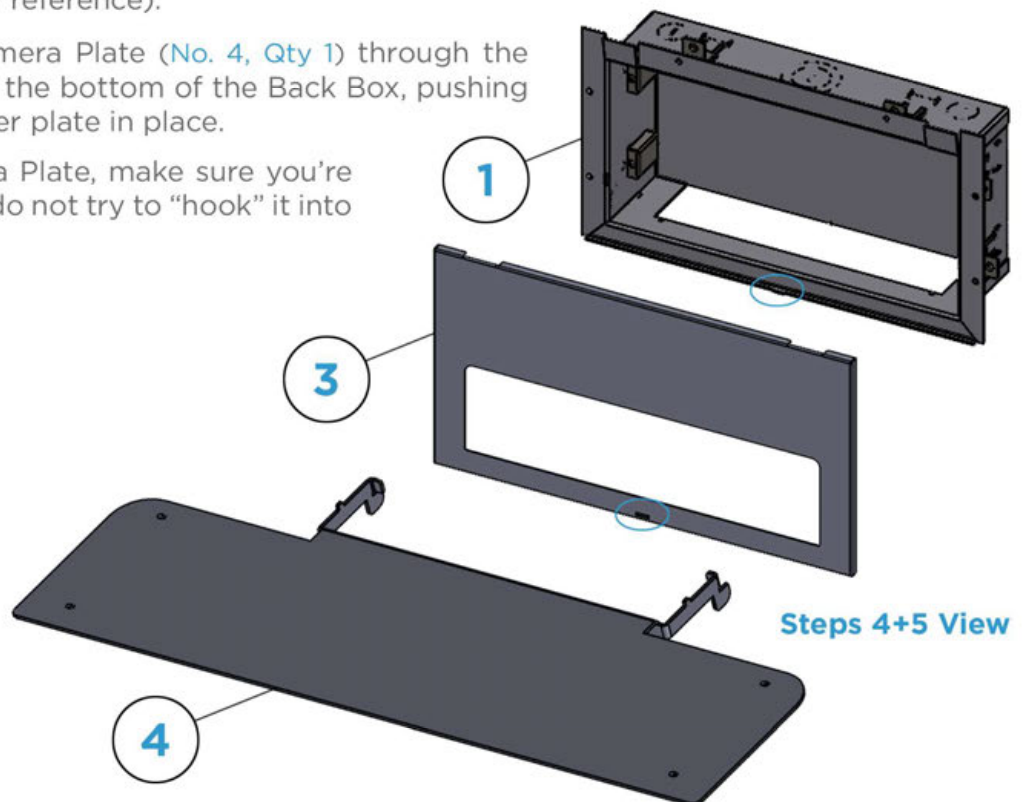
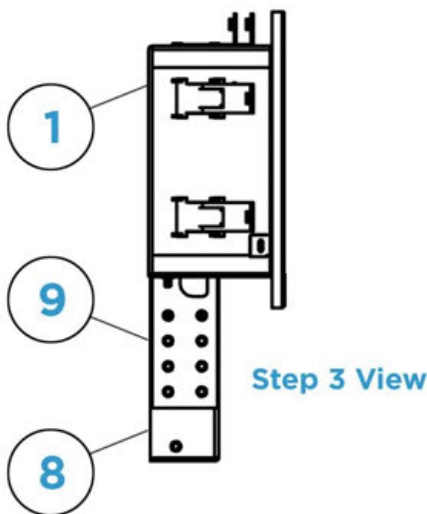
Step 2: Next, you'll attach the **Step 1 Assembly** to the Adaptor Plate (No. 6, Qty 1) using the zinc 6-32x3/8" Torx Pan Head Screws (No. 5, Qty 4). Make sure the cross bar of the Adaptor Plate is on the bottom side of the Camera End Module, as seen above in "Step 2 View".

Step 3: Carefully drop your **Step 1+2 Assembly** inside the **Rectangular Knockout** (see Page 2 for reference) in the RC-CUBBY Back Box (No. 1, Qty 1); the assembly will be behind the wall, with the connections facing upwards for ease of access. See "Step 3 View" image below for assembled reference.

Step 4: Hang the Bezel (No. 3, Qty 1) off the front of the Back Box, with the large opening at the bottom. The small centered tab on the Back Box will line up with the small center slot of the Bezel (center tab/slot circled below in "Steps 4+5 View" image for reference).

Step 5: Insert the hooks of the Camera Plate (No. 4, Qty 1) through the Bezel opening, and into the slots on the bottom of the Back Box, pushing in to secure. This will hold the adapter plate in place.

Pro Tip: When installing the Camera Plate, make sure you're holding it perpendicular to the wall; do not try to "hook" it into the unit.





RC-CUBBY-PD2™ supporting the Poly Director II System ASSEMBLY INSTRUCTIONS...cont.

Step 6: On the inside of the Back Box, there are tabs on the right-and-left lower side. Use a flat head screw driver to slightly move out each tab past the notch on the Camera Plate, securing it in place.

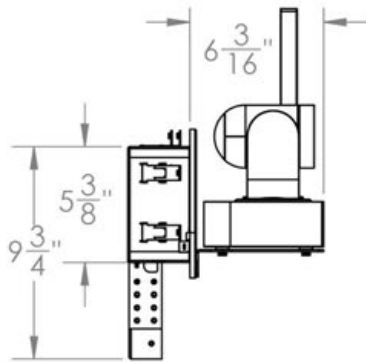
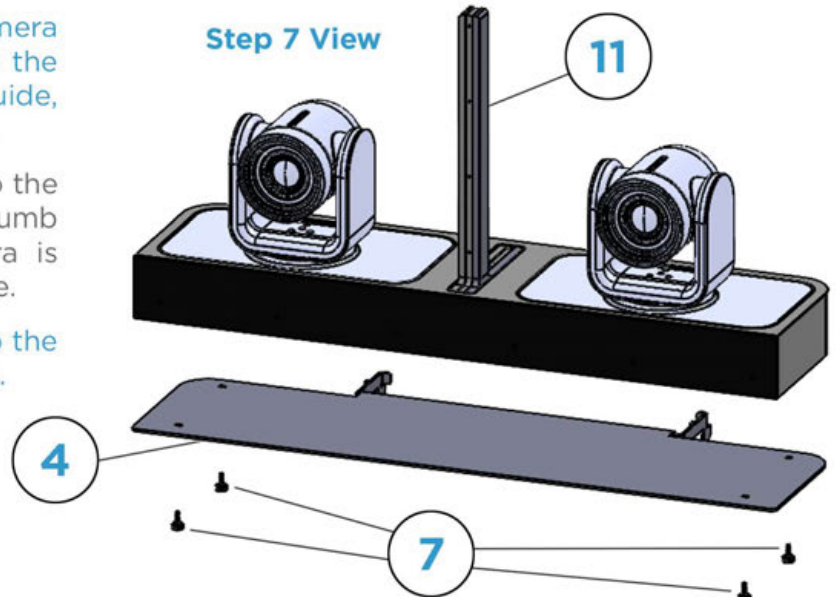
If you're also integrating our RC7-PD2™ Camera Extension Kit, connect the rest of the cables to the Camera End Module, per our Application Guide, making sure you connect the SCTLINK™ cable last.

Step 7: Place the Poly Director II (No. 11, Qty 1) onto the Camera Plate and attach using the M3x10 Thumb Screws (No. 7, Qty 4), making sure the camera is secure. See "Step 7 View" to the right for reference.

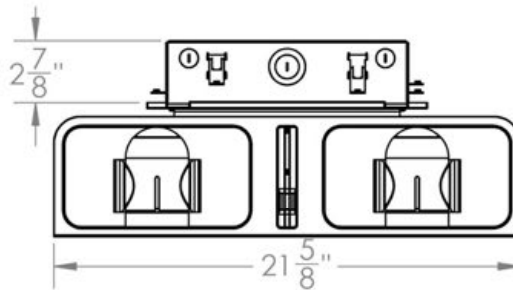
If applicable, attach the other end of the cables to the Director II and gently tuck them into the Back Box.

That's it, you're done!

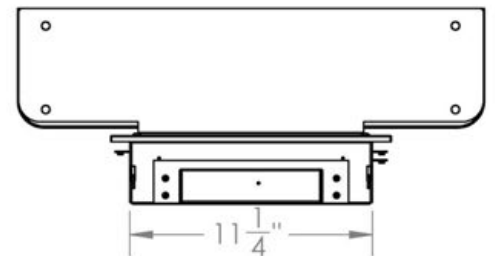
Step 7 View



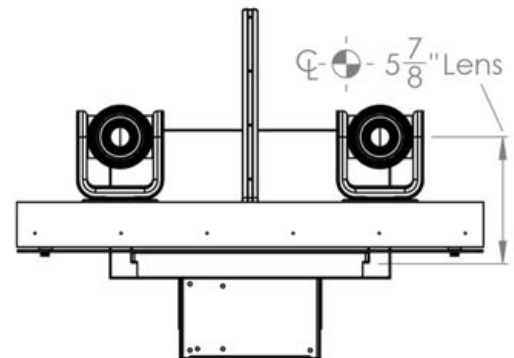
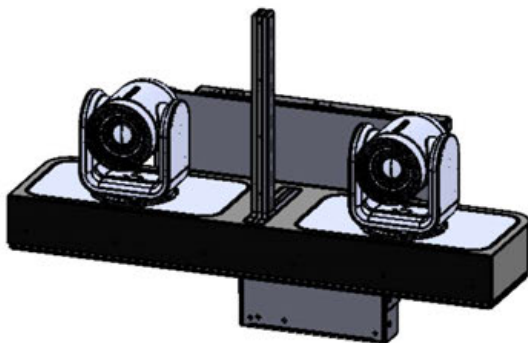
Assembled Side View



Assembled Top View



Assembled Bottom View



Assembled Front View



Great job, you're finished!
Thank you for your support!



RC-CUBBY-CQC™ supporting the Cisco Quad Camera

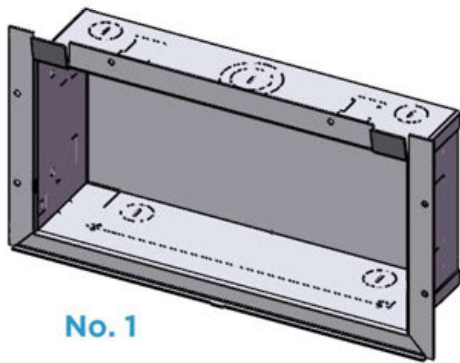
INCLUDED KIT-SPECIFIC PART LIST

- No. 1** RC-Cubby Back Box (Qty 1)
- No. 2** Wall Clamp Assembly (Qty 4)
- No. 3** Bezel BBZ2-0 (Qty 1)
- No. 4** Camera Plate (Qty 1)
- No. 5** 6-32x3/8" Torx Pan Head Screw, Zinc (Qty 4)
- No. 6** Adaptor Plate ADP2-0 (Qty 1)

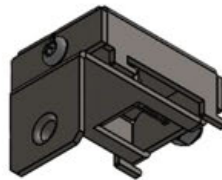
PARTS NOT INCLUDED

- No. 7** RC8-CE™ Camera End Module (included in RC8-CQC-K™ Kit) (Qty 1)
- No. 8** Camera Module Mounting Ears (included in RC8-CQC-K™ Kit) (Qty 2)
- No. 9** 4-40x1/4" Flat Head Screw, Black (included in RC8-CQC-K™ Kit) (Qty 4)
- No. 10** Cisco Quad Camera (Qty 1)

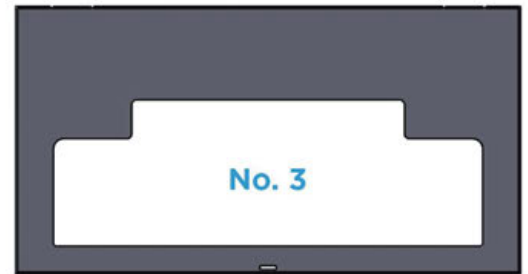
WHAT'S IN THE BOX (RC-CUBBY-CQC™)



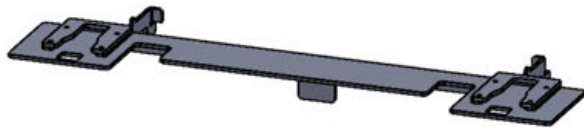
No. 1



No. 2



No. 3



No. 4

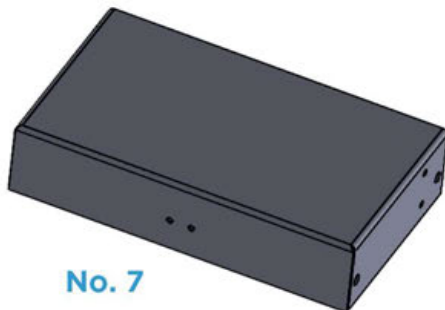


No. 5

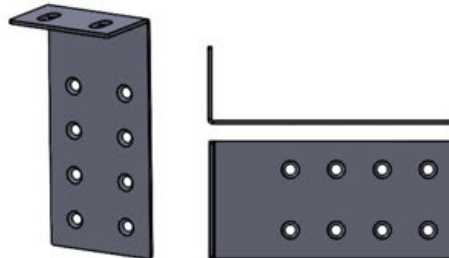


No. 6

WHAT'S NOT IN THE BOX (included in the RC8-CQC-K™ Camera Extension Kit)



No. 7



No. 8



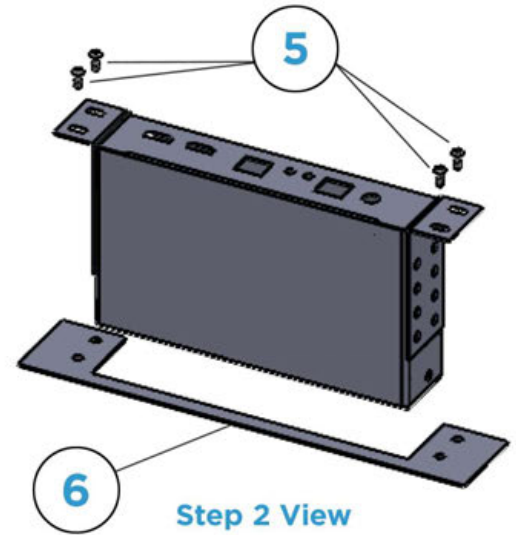
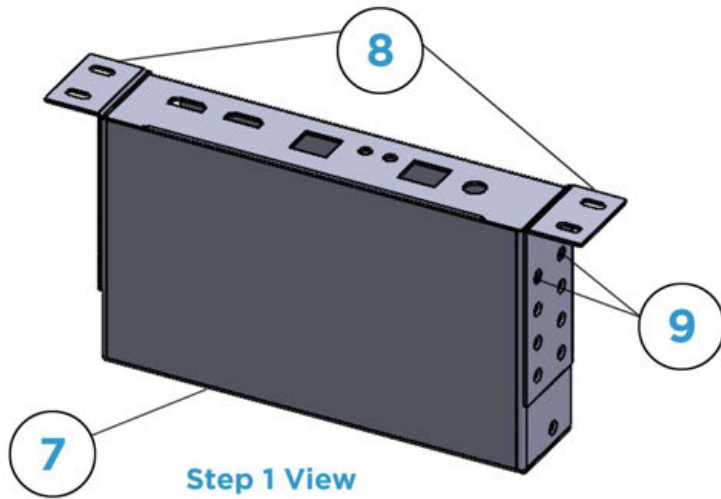
No. 9

ASSEMBLY INSTRUCTIONS

Step 1: If also integrating an RC8-CQC™ Camera Extension Kit, use the black 4-40x1/4" Flat Head Screws (No. 9, Qty 4) to attach the Camera Module Mounting Ears (No. 8, Qty 2) to your RC8-CE™ Camera Module (No. 7, Qty 1). Use the first set of holes, closest to the flange, and make sure the flange is pointed toward the connectors (i.e. HDMI, Ethernet, SCTLINK™) on the rear panel of the module. See "Step 1 View" image on Page 8 for reference.



RC-CUBBY-CQC™ supporting the Cisco Quad Camera ASSEMBLY INSTRUCTIONS...cont.



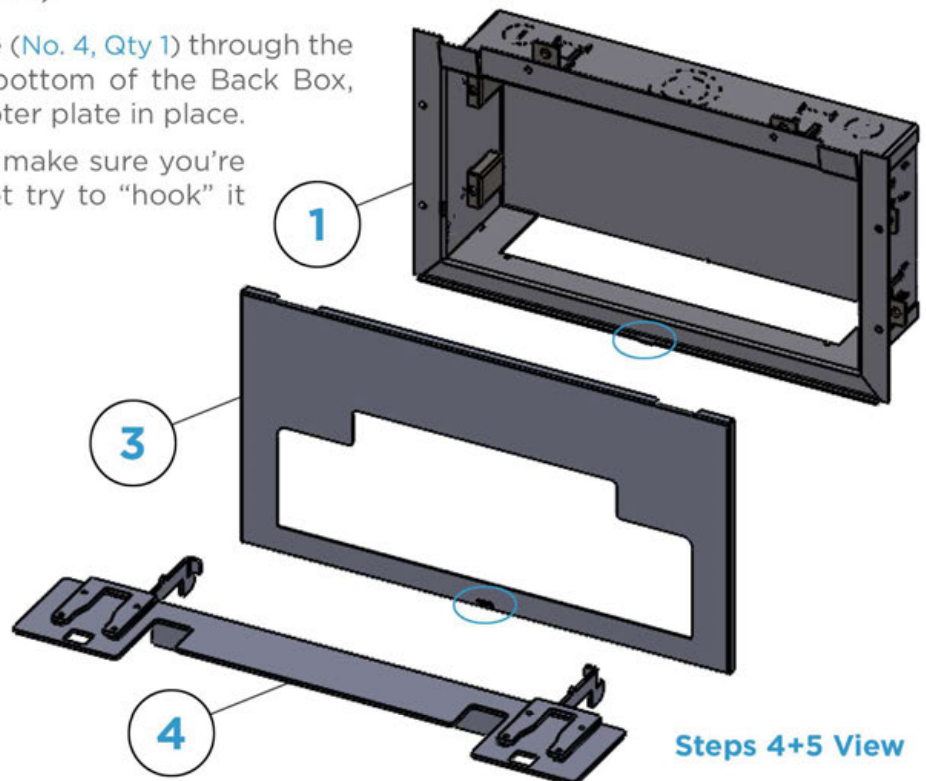
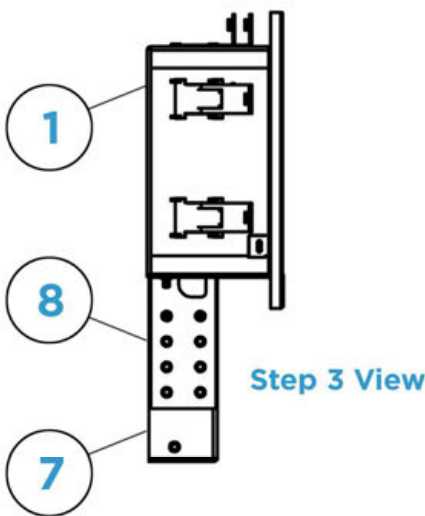
Step 2: Next, you'll attach the **Step 1 Assembly** to the Adaptor Plate (No. 6, Qty 1) using the zinc 6-32x3/8" Torx Pan Head Screws (No. 5, Qty 4). Make sure the cross bar of the Adaptor Plate is on the bottom side of the Camera End Module, as seen above in "Step 2 View".

Step 3: Carefully drop your **Step 1+2 Assembly** inside the **Rectangular Knockout** (see Page 2 for reference) in the RC-CUBBY Back Box (No. 1, Qty 1); the assembly will be behind the wall, with the connections facing upwards for ease of access. See "Step 3 View" image below for assembled reference.

Step 4: Hang the Bezel (No. 3, Qty 1) off the front of the Back Box, with the large opening at the bottom. The small centered tab on the Back Box will line up with the small center slot of the Bezel (center tab/slot circled below in "Steps 4+5 View" image for reference).

Step 5: Insert the hooks of the Camera Plate (No. 4, Qty 1) through the Bezel opening, and into the slots on the bottom of the Back Box, pushing in to secure. This will hold the adapter plate in place.

Pro Tip: When installing the Camera Plate, make sure you're holding it perpendicular to the wall; do not try to "hook" it into the unit.





RC-CUBBY-CQC™ supporting the Cisco Quad Camera ASSEMBLY INSTRUCTIONS...cont.

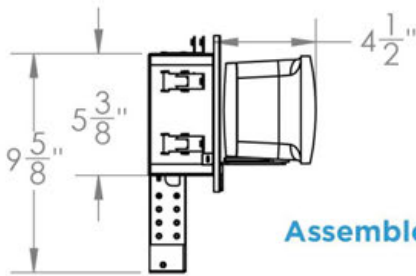
Step 6: On the inside of the Back Box, there are tabs on the right-and-left lower side. Use a flat head screw driver to slightly move out each tab past the notch on the Camera Plate, securing it in place.

If you're also integrating our RC8-CQC™ Camera Extension Kit, connect the rest of the cables to the Camera End Module, per our Application Guide, making sure you connect the SCTLink™ cable last.

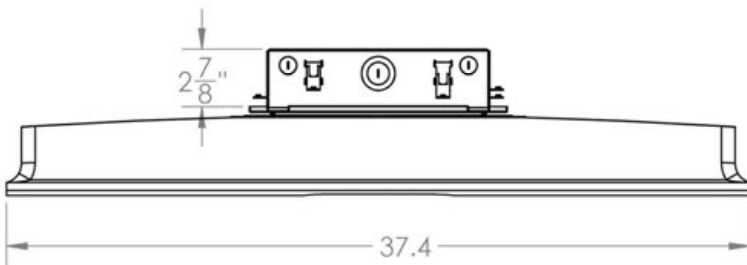
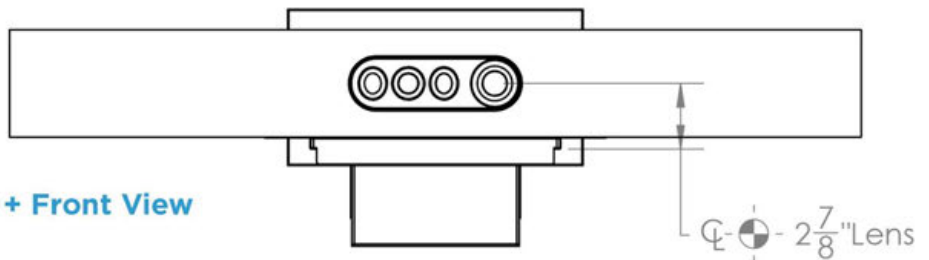
Step 7: Attach the Cisco Quad Camera (No. 10, Qty 1) to the Camera Plate by snapping both sides into place, making sure the camera is secure. Lock the camera in place using the red lever on the Quad Camera. To be fully level, move the blue tabs on the Quad Camera metal rail to 0°.

If applicable, attach the other end of the cables to the Quad Camera and gently tuck them into the Back Box.

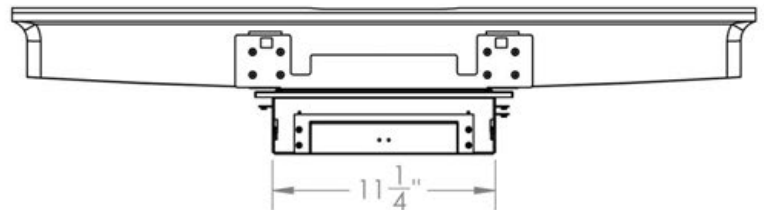
Step 8: Tilt the Cisco Quad Camera up into position, and you're done!



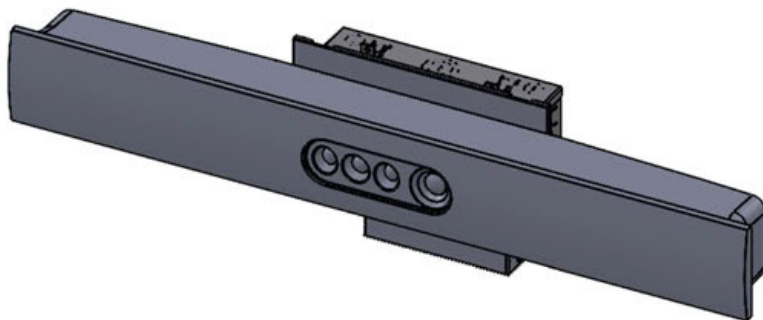
Assembled Side + Front View



Assembled Top View



Assembled Bottom View



Great job, you're finished!
Thank you for your support!