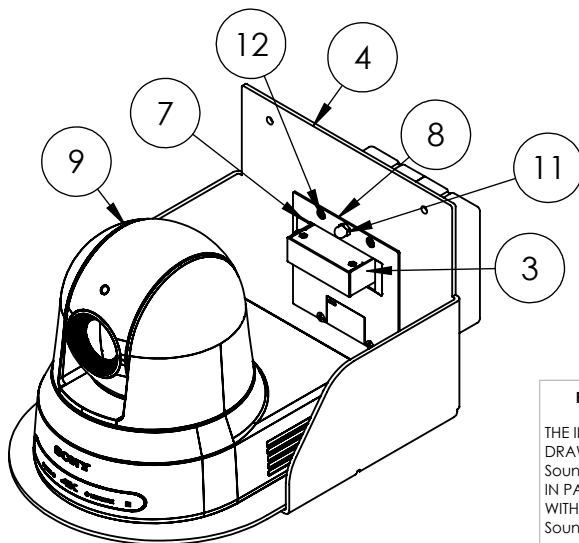
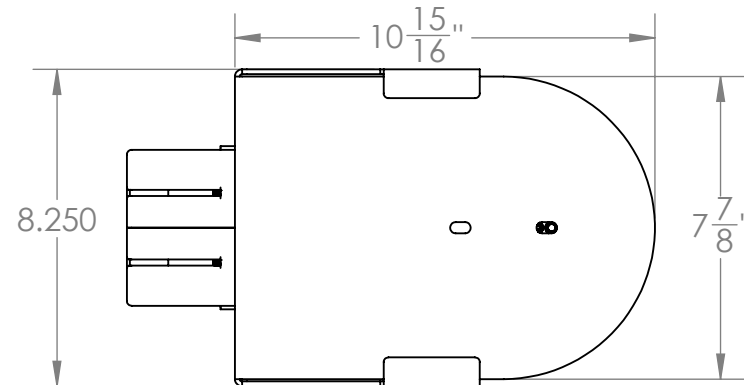
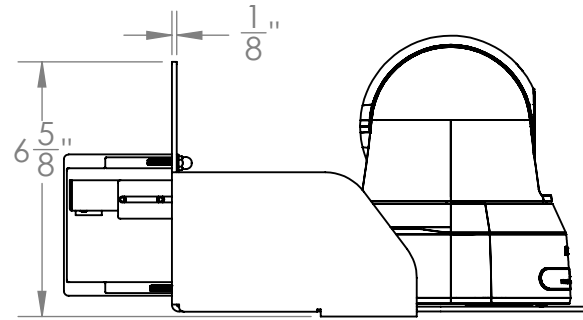
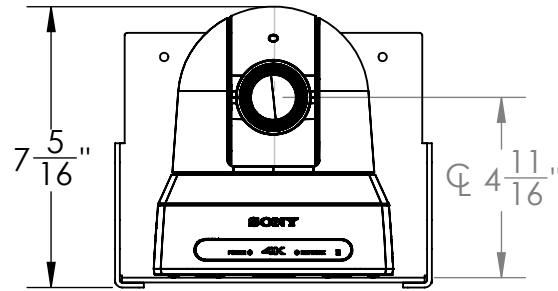
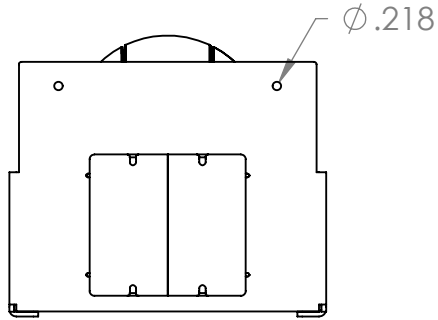
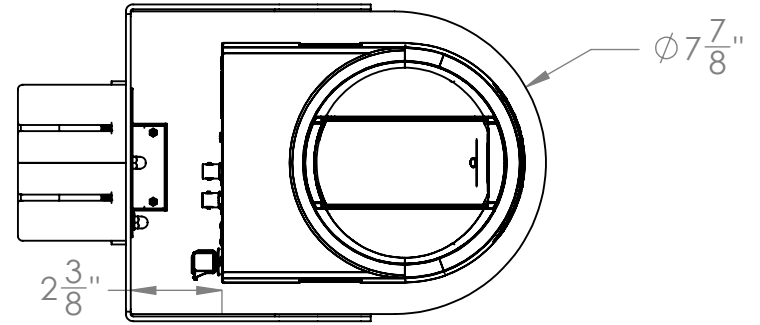


ITEM NO.	PART NUMBER	DESCRIPTION	QTY.
3	RC-xx-CE-x	Camera End	1
4	ENC-CLIP-MOU-01	RC SHELF UNIFIED LARGE CAMERA	1
7	801-1102	RCM Bracket- Mounting	1
8	802-1102	RC_CE WALL MOUNT Cover	1
9	BRC-X400	Camera	1
10	800-1088	CE-ASSY.	1
11	90760A199	8-32 Cap Nut	2
12	91802A151	6-32x3/4" OHPMS Black Face	4



PROPRIETARY AND CONFIDENTIAL
 THE INFORMATION CONTAINED IN THIS DRAWING IS THE SOLE PROPERTY OF Sound Control Tech. ANY REPRODUCTION IN PART OR AS A WHOLE WITHOUT THE WRITTEN PERMISSION OF Sound Control Tech IS PROHIBITED.

UNLESS OTHERWISE SPECIFIED:	
DIMENSIONS ARE IN INCHES	
TOLERANCES:	
FRACTIONAL ±	
ANGULAR: MACH ± BEND ±	
TWO PLACE DECIMAL ±	
THREE PLACE DECIMAL ±	
INTERPRET GEOMETRIC TOLERANCING PER:	
MATERIAL	
FINISH	
DO NOT SCALE DRAWING	

NAME	DATE
DRAWN	G.E.G. 01/28/2020
CHECKED	
ENG APPR.	
MFG APPR.	
Q.A.	
COMMENTS:	

SCT Sound Control Technologies
 28 Knight Street
 Norwalk, CT 06851
 (203) 854-5701
www.soundcontrol.net

TITLE:
RCM-LCM

SIZE	DWG. NO.	REV
A	BRC-X1000WALL-BRC-X400	

SCALE: 1:5 WEIGHT: SHEET 1 OF 1