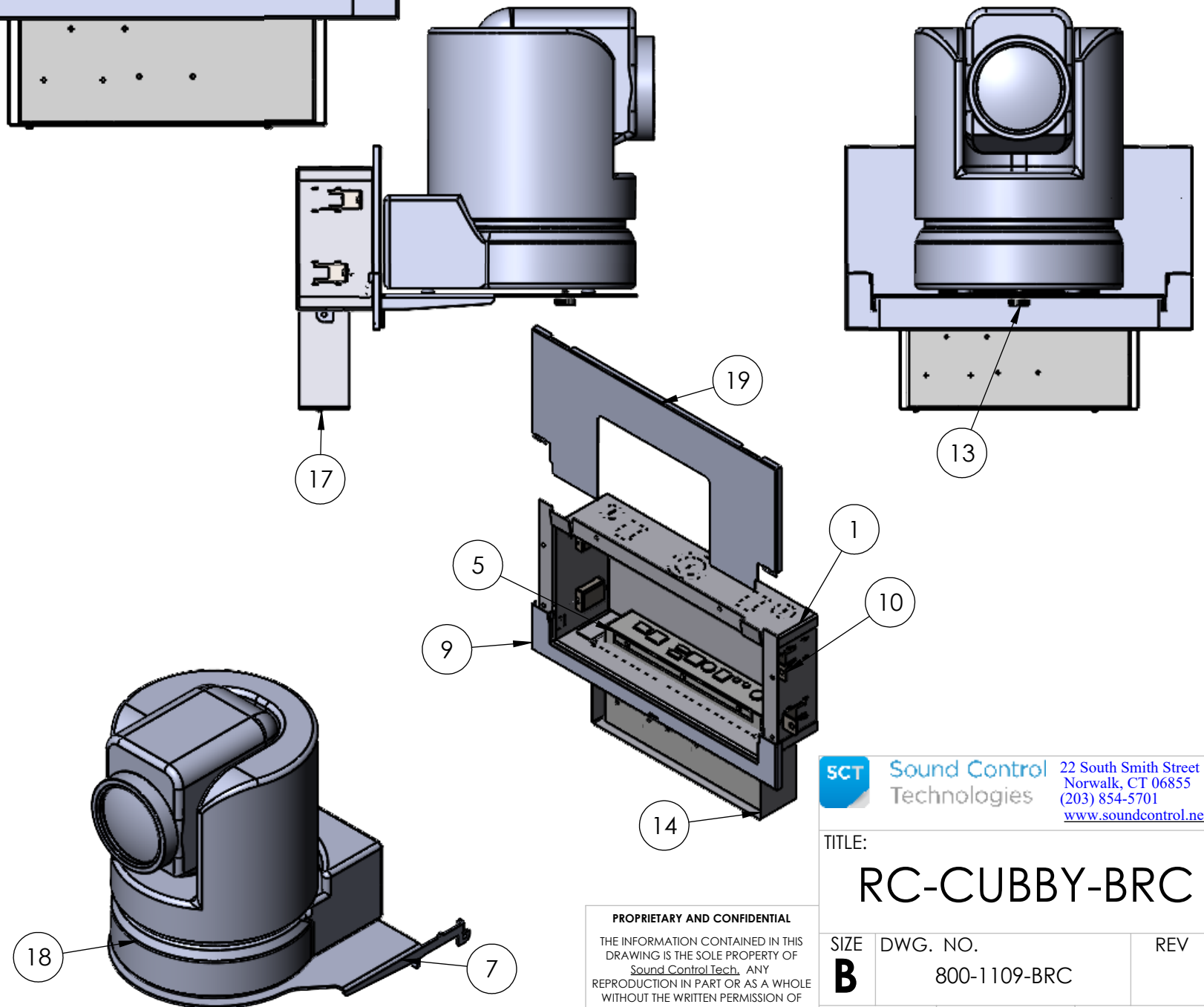
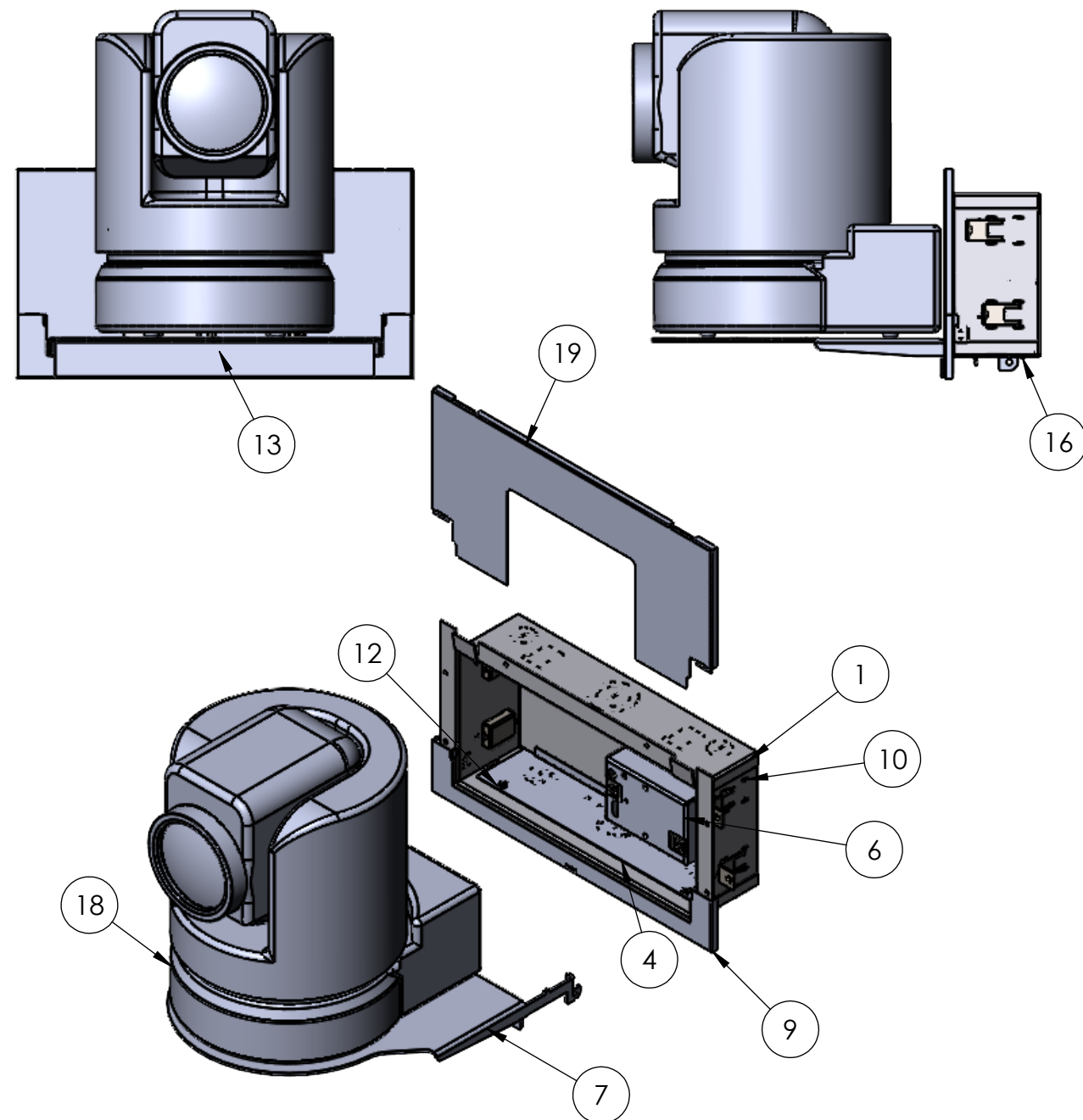
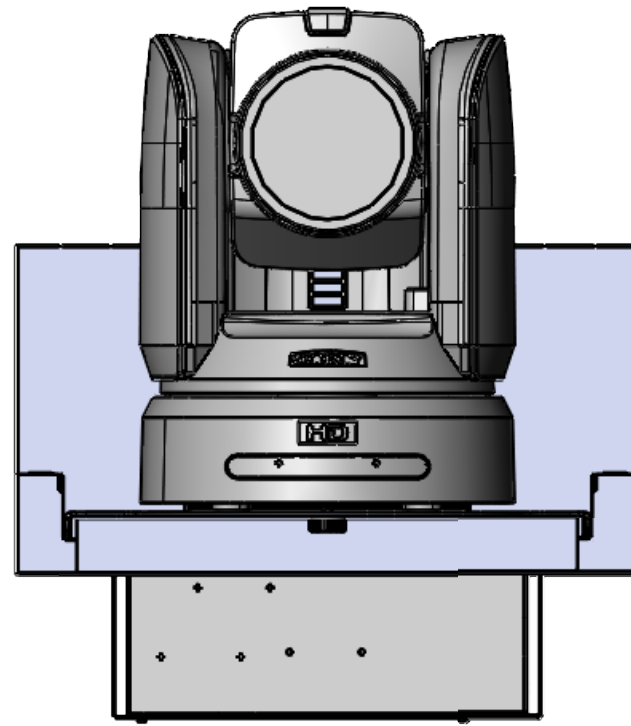


| ITEM NO. | PART NUMBER | DESCRIPTION | QTY. |
|----------|-----------------|---|------|
| 1 | 804-1147 | Cubby-Back Box Version 2 | 1 |
| 4 | 816-1109 | Cubby Adapter Plate for Camera End Module RC4/5/6 | 1 |
| 6 | RC-5 | RC-5 Camera End | 1 |
| 7 | ENC-CUBY-LARG-0 | CUBY Large Camera Plate | 1 |
| 9 | 806-1147 | Cubby FacePlate Bottom Half | 1 |
| 10 | 800-1107 | Wall-Clamp Assy. | 4 |
| 12 | 94060A146 | PHPDS #6x3/8" | 3 |
| 13 | 91185A661 | 1/4-20x1/2" Thumb Screw Black | 1 |
| 16 | 90910A813 | 6-32x 3/16" BHTMS | 2 |
| 18 | BRC-X1000cam | Camera | 1 |
| 19 | 808-1147 | Cubby Split Bezel Top for RC-CUBBY-BRC (for Sony BRC-X1000,H900 & H800 Cameras) | 1 |

| ITEM NO. | PART NUMBER | DESCRIPTION | QTY. |
|----------|-------------------|---|------|
| 1 | 804-1147 | Cubby-Back Box Version 2 | 1 |
| 5 | Fiber_TX_Assembly | Camera End Fiber | 1 |
| 7 | ENC-CUBY-LARG-0 | CUBY Large Camera Plate | 1 |
| 9 | 806-1147 | Cubby FacePlate Bottom Half | 1 |
| 10 | 800-1107 | Wall-Clamp Assy. | 4 |
| 13 | 91185A661 | 1/4-20x1/2" Thumb Screw Black | 1 |
| 14 | 809-1147 | Brkt. Cubby for RC-Fiber/Mini Module | 1 |
| 17 | 90022A110 | 4-40x 1/4" PHTMS | 2 |
| 18 | BRC-X1000cam | Camera | 1 |
| 19 | 808-1147 | Cubby Split Bezel Top for RC-CUBBY-BRC (for Sony BRC-X1000,H900 & H800 Cameras) | 1 |



SCT Sound Control Technologies
 22 South Smith Street
 Norwalk, CT 06855
 (203) 854-5701
www.soundcontrol.net

TITLE:
RC-CUBBY-BRC

PROPRIETARY AND CONFIDENTIAL
 THE INFORMATION CONTAINED IN THIS DRAWING IS THE SOLE PROPERTY OF Sound Control Tech. ANY REPRODUCTION IN PART OR AS A WHOLE WITHOUT THE WRITTEN PERMISSION OF Sound Control Tech. IS PROHIBITED.

| | | |
|------------------|--------------------------|---------------|
| SIZE B | DWG. NO. 800-1109-BRC | REV |
| NAME | G.E.G. | DATE 2/5/2021 |
| | | SHEET 1 OF 1 |