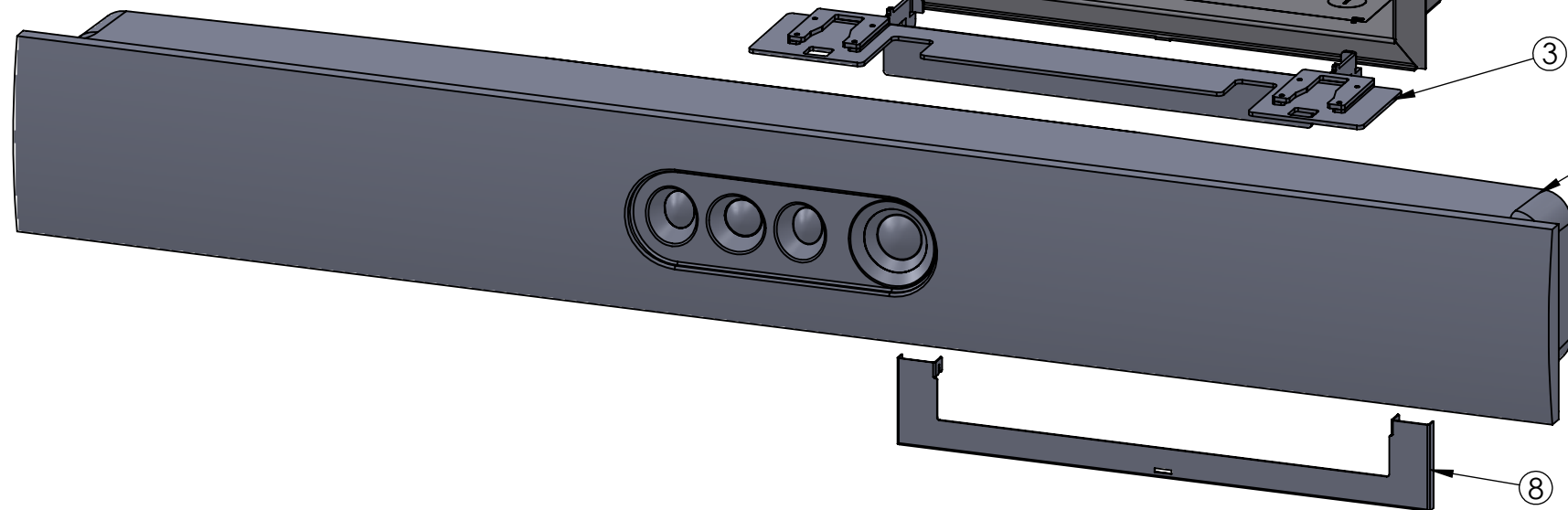
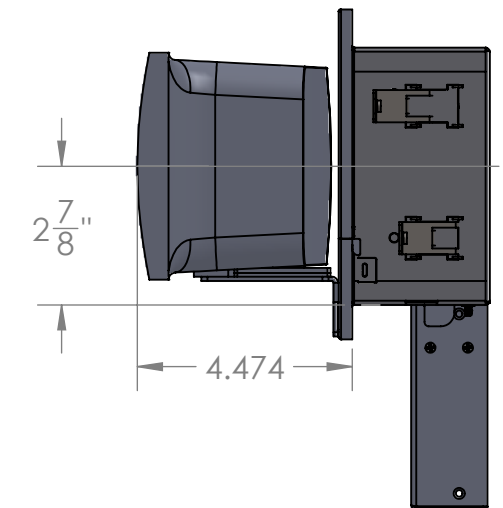
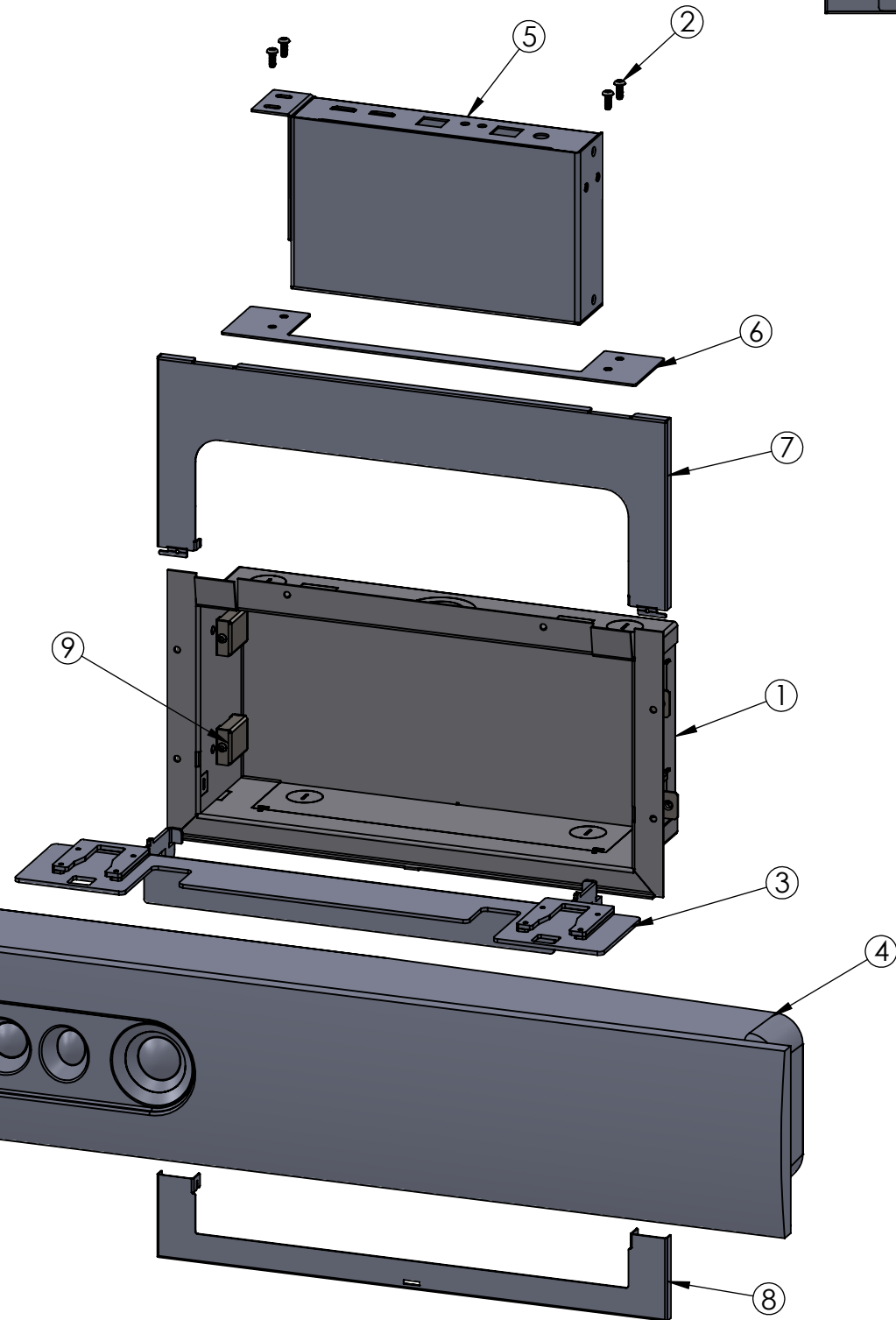
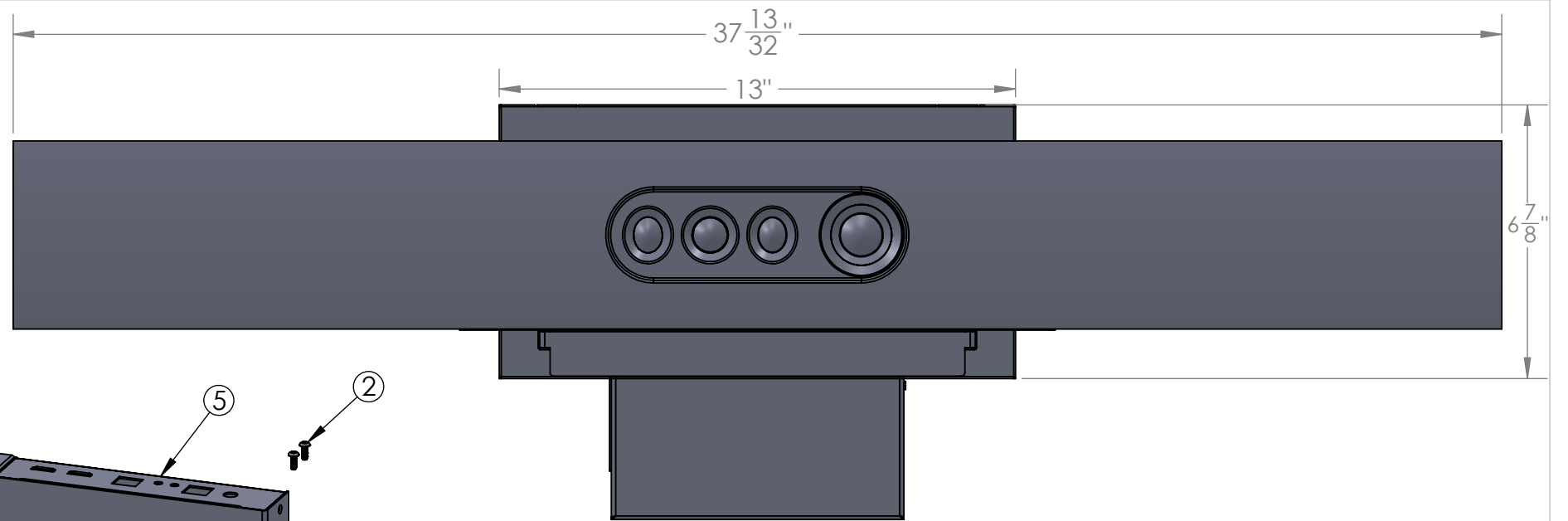


ITEM NO.	PART NUMBER	DESCRIPTION	QTY.
1	800-1147	Cubby Backbox	1
2	90910A511	#6-32x 3/8" Torx Pan Head Screw	4
3	ENC-BRCR-QUAD-0_A	CUBBY Camera Plate For Cisco QuadCam	1
4	cisco quad	Camera	1
5	RC8	RC8-CE	1
6	ENC-CUBY-ADP2-0	Adapter Plate	1
7	810-1147	Cubby Split Face Plate Top	1
8	806-1147	Cubby FP01 Split Face Plate Bottom	1
9	800-1107	Wall Clamp Assembly	4



SCT Sound Control Technologies
 22 South Smith Street
 Norwalk, CT 06855
 (203) 854-5701
www.soundcontrol.net

TITLE:
RC-Cubby-CQC

PROPRIETARY AND CONFIDENTIAL
 THE INFORMATION CONTAINED IN THIS DRAWING IS THE SOLE PROPERTY OF Sound Control Tech. ANY REPRODUCTION IN PART OR AS A WHOLE WITHOUT THE WRITTEN PERMISSION OF Sound Control Tech. IS PROHIBITED.

SIZE B	DWG. NO. Cubby01QUADSPLIT	REV
NAME G.E.G.	DATE 11/8/2022	SHEET 1 OF 1