

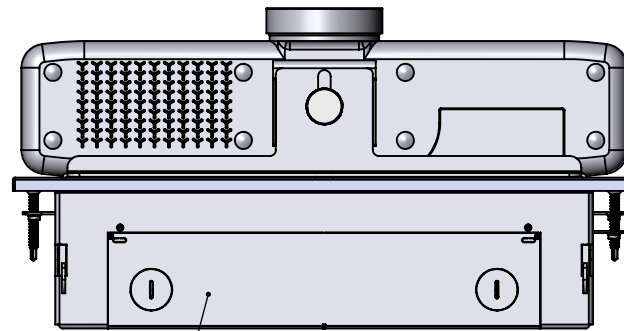
Mount Box 2 to wall.  
See separate instructions,  
After removing bottom KO plate. (KO)\*

Mount TX ITEM#11 to Filler KO Plate Item#14  
Using 2 Screws Item#13 and install into mounted  
box with 2 Screws Item#12.

Mount Item#4 to Mounted Wall Assy.  
Next Mount ITEM#8 to Mounted Wall Assy.  
And lock in place with tabs in side of wall  
Box(\*\*)

Make Cable Connections  
Mount Camera ITEM#9 to Bracket ITEM#8 With  
Thumbscrew ITEM#10  
Slide Item #6 into place from Top.

ITEM NO.	PART NUMBER	DESCRIPTION	QTY.
1	800-1109Base	Basic Assy. Cubby	1
2	804-1147	Cubby-Back Box Version 2	1
3	94195A180	FHPDS#10-16x 1 1/2"	6
4	806-1147	Cubby FacePlate Bottom Half	1
5	800-1107	Wall-Clamp Assy.	4
6	805-1147	Cubby Split Face Plate Top Closed	1
7	Cuby-E70	Assy.	1
8	823-1109	Poly E70 Shelf for Cubby Mount	1
9	E-70 Cam	Camera	1
10	91185A660	1/4-20x3/8" Thumb Screw Black	1
11	800-1164	RCU2S - RC-TX Camera End	1
12	94060A146	PHPDS #6x3/8"	2
13	90272A144	PHPMS 6-32 X 1/4"	2
14	ENC-CUBY-ADP3-0	Filler KO Plate-CubbyCamera End RC4/5/6 Mount	1



**SCT** Sound Control Technologies  
22 South Smith Street  
Norwalk, CT 06855  
(203) 854-5701  
[www.soundcontrol.net](http://www.soundcontrol.net)

TITLE:

# Cubby- Poly- E70

**PROPRIETARY AND CONFIDENTIAL**  
THE INFORMATION CONTAINED IN THIS  
DRAWING IS THE SOLE PROPERTY OF  
Sound Control Tech. ANY REPRODUCTION  
IN PART OR AS A WHOLE  
WITHOUT THE WRITTEN PERMISSION OF  
Sound Control Tech. IS PROHIBITED.

SIZE	DWG. NO.	REV
<b>A</b>	800-1147Cubby-Poly-E70web	
G.E.G.	5/6/2022	SHEET 1 OF 1