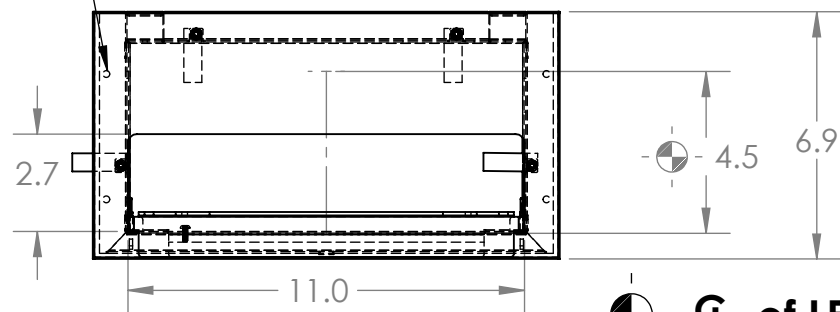
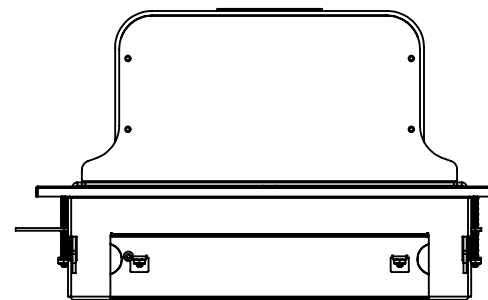
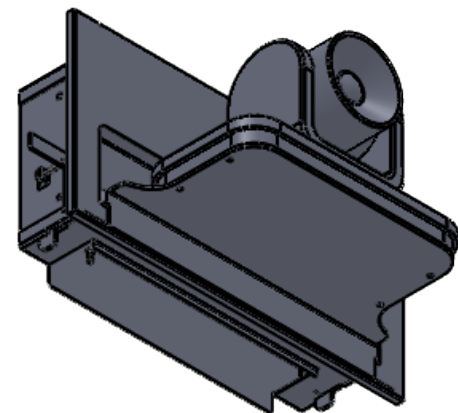
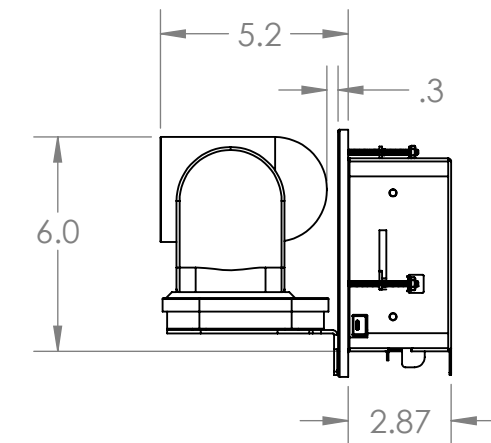
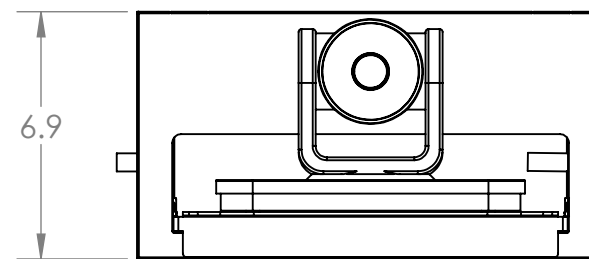


2 Holes Each Side for  
Solid Sub Support Mounting  
Use #6 Flat Head Drywall Screws  
or Similar When Paws not Used



$\varnothing$  of LENS  
When Box resting on Cut-Out



Wall Cut-Out  
See Templet  
provided with  
Wall Box.

**PROPRIETARY AND CONFIDENTIAL**  
THE INFORMATION CONTAINED IN THIS  
DRAWING IS THE SOLE PROPERTY OF  
Sound Control Tech. ANY  
REPRODUCTION IN PART OR AS A WHOLE  
WITHOUT THE WRITTEN PERMISSION OF  
Sound Control Tech IS PROHIBITED.

UNLESS OTHERWISE SPECIFIED:  
DIMENSIONS ARE IN INCHES  
TOLERANCES:  
FRACTIONAL  $\pm 1/32"$   
ANGULAR: MACH  $\pm .25^\circ$  BEND  $\pm .5^\circ$   
TWO PLACE DECIMAL  $\pm .02$   
THREE PLACE DECIMAL  $\pm .010$   
HOLE SIZE  $+ .003 / - .000$   
INTERPRET GEOMETRIC  
TOLERANCING PER:  
MATERIAL  
FINISH  
DO NOT SCALE DRAWING

	NAME	DATE
DRAWN	G.E.G.	09/18/19
CHECKED		
ENG APPR.		
MFG APPR.		
Q.A.		
COMMENTS:		


 22 South Smith Street  
 Norwalk, CT 06855  
 (203) 854-5701  
[www.soundcontrol.net](http://www.soundcontrol.net)

TITLE: **Cubby 01 EE 4  
Dimensions**

SIZE	DWG. NO.	REV
<b>B</b>	<b>901-1004</b>	

SCALE: 3:16 WEIGHT: SHEET 1 OF 1