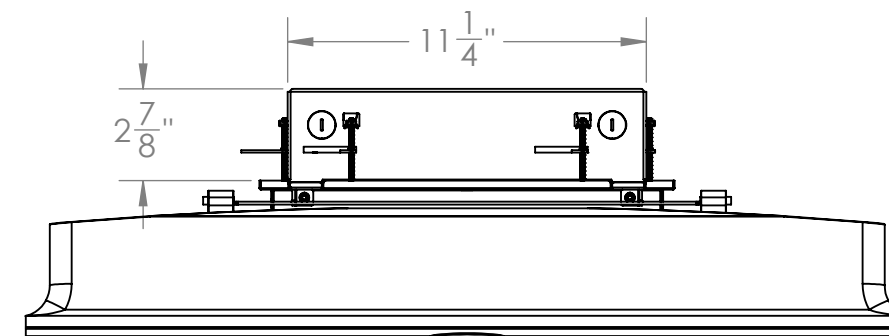
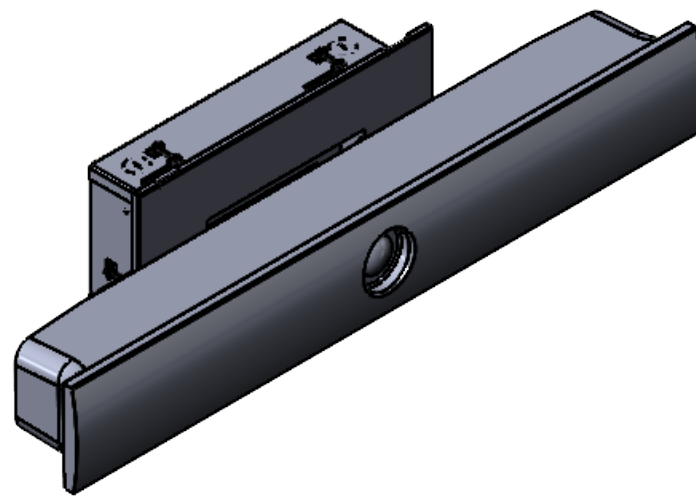
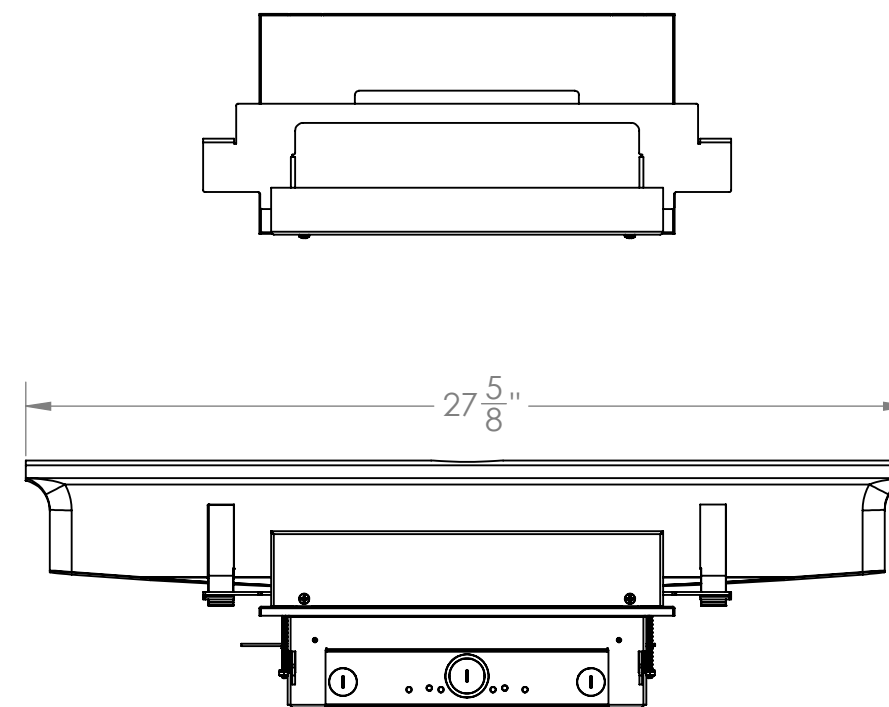
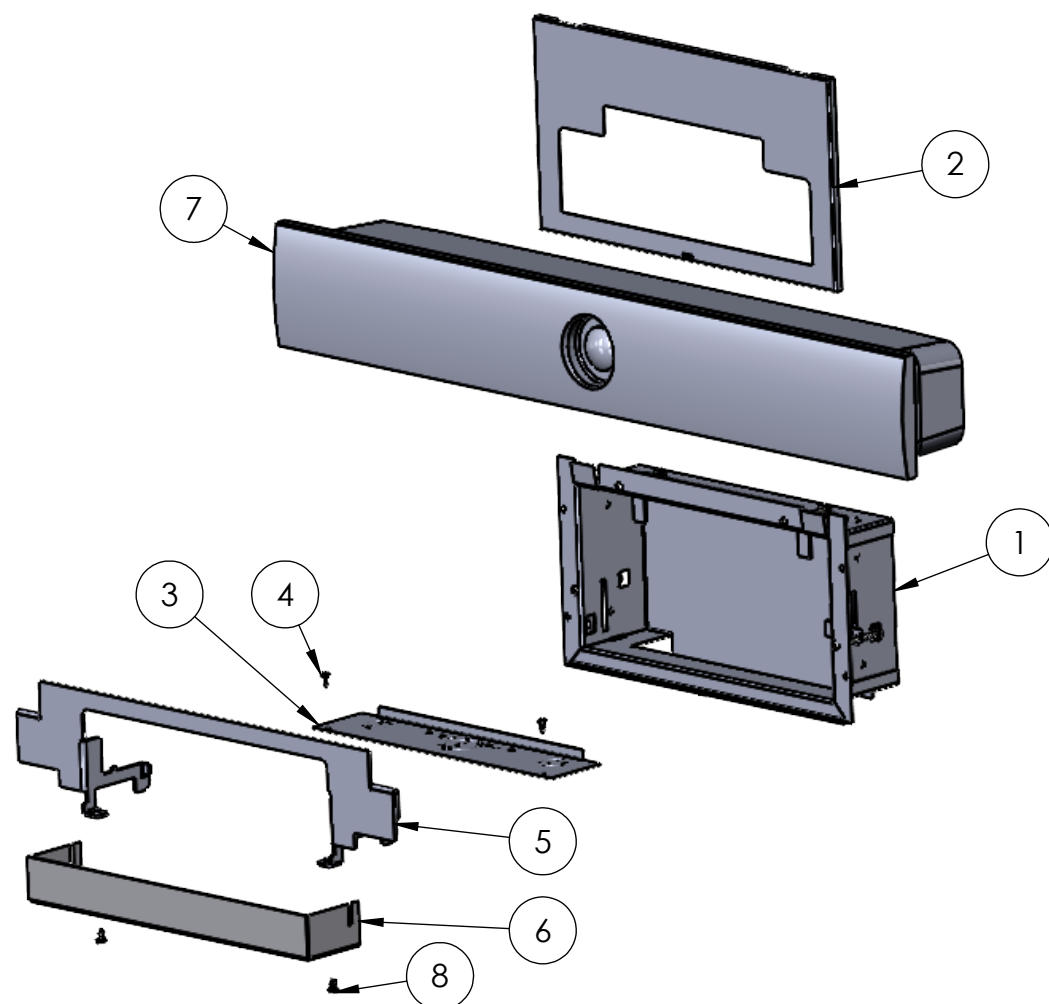
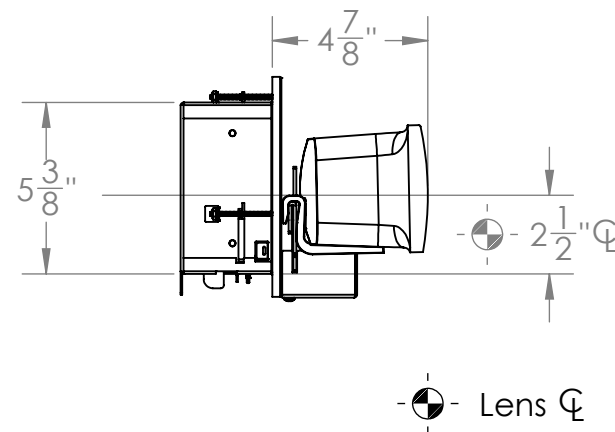


ITEM NO.	DESCRIPTION	QTY.
1	Cubby RK Assy.	1
2	Wall Cover	1
3	Filler KO Plate-CubbyCamera End RC4/5/6 Mount	1
4	PHPDS #6x3/8"	2
5	Cisco Spark Mounting Brkt.	1
6	Cubby Bezel Cisco Sparks	1
7	Cisco Sparks Room Kit	1
8	PHPMS 8-32x 5/16"	2



- 1- Remove Wall Cover if installed - Item 2.
- 2- Place Filler Plate Item #3 in base of Back Box Item #1 and fasten in place with (2) Item #4 PHPDS #6x 3/8"
- 3- Replace Wall Cover Item #2
- 4- Install Mounting Brkt. Item #5 in Box (place 1/2 round tabs thru bottom side rectangular cut-outs in Box at a slight angle and lower an push to rear of box).
- 5- Bend (2) side locking tabs using a small screwdriver out from Box wall half-way thru locking boss. (about 5 Deg.)
- 6- Connect wiring to Item #7 Camera and place Camera on Mounting Bracket.
- 7- Install Bezel wire cover Item #6 using Item #8 (2) PHPMS #8-32x 5/16"



SCT Sound Control Technologies
 22 South Smith Street
 Norwalk, CT 06855
 (203) 854-5701
www.soundcontrol.net

TITLE: **RC-CUBBY-RK
Room Kit**

PROPRIETARY AND CONFIDENTIAL
 THE INFORMATION CONTAINED IN THIS DRAWING IS THE SOLE PROPERTY OF Sound Control Tech. ANY REPRODUCTION IN PART OR AS A WHOLE WITHOUT THE WRITTEN PERMISSION OF Sound Control Tech. IS PROHIBITED.

SIZE B	DWG. NO. RC-CUBBY-RKWebx-xx	REV
NAME G.E.G.	DATE 6/4/2020	SHEET 1 OF 1