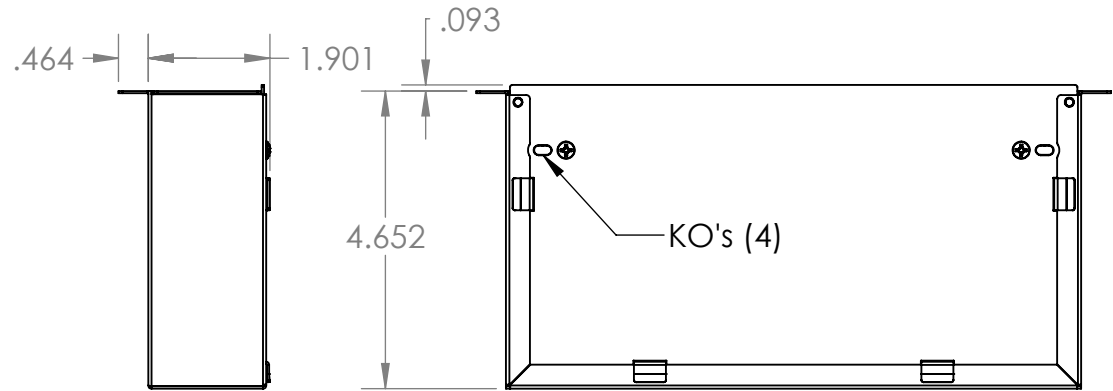
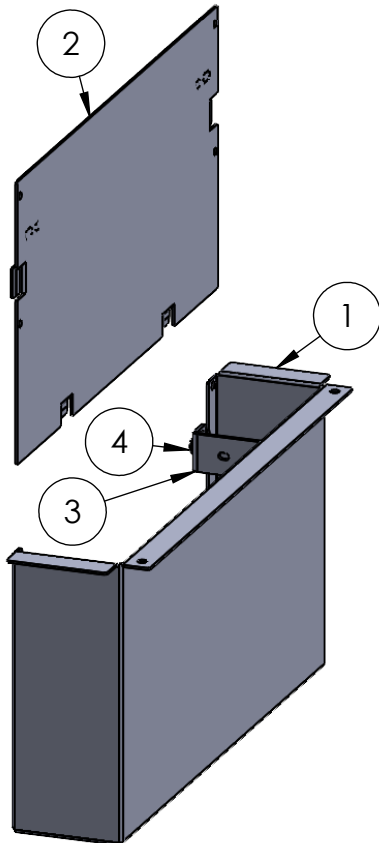
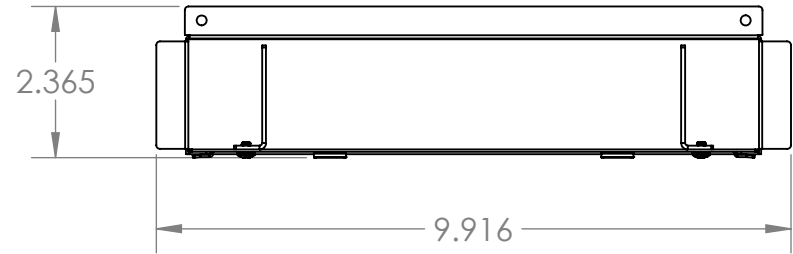
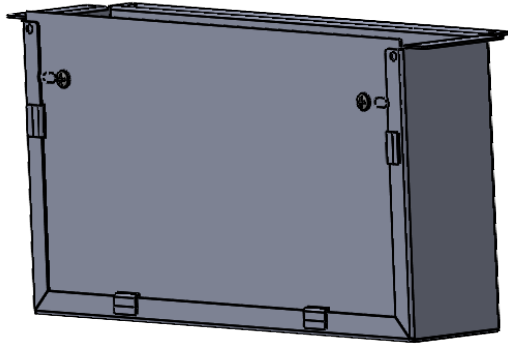


ITEM NO.	PART NUMBER	DESCRIPTION	QTY.
1	801-1147	Cubby Safety Enclosure-Base	1
2	802-1147	Cubby Safety Enclosure-Cover	1
3	803-1147	Cubby Safety Enclosure-Bracket	2
4	91772A518	6-32x5/32" PHPMS	2



PROPRIETARY AND CONFIDENTIAL
 THE INFORMATION CONTAINED IN THIS DRAWING IS THE SOLE PROPERTY OF Sound Control Tech. ANY REPRODUCTION IN PART OR AS A WHOLE WITHOUT THE WRITTEN PERMISSION OF Sound Control Tech. IS PROHIBITED.

UNLESS OTHERWISE SPECIFIED:		NAME	DATE
DIMENSIONS ARE IN INCHES		DRAWN	G.E.G. 9/1/2020
TOLERANCES:		CHECKED	
FRACTIONAL ± 1/32"		ENG APPR.	
ANGULAR: MACH ± .25° BEND ± .5°		MFG APPR.	
TWO PLACE DECIMAL ± .02		Q.A.	
THREE PLACE DECIMAL ± .010		COMMENTS:	
HOLE SIZE +.003 / -.000			
INTERPRET GEOMETRIC TOLERANCING PER:			
MATERIAL			
FINISH			
DO NOT SCALE DRAWING			

SCT Sound Control Technologies
 22 South Smith Street
 Norwalk, CT 06855
 (203) 854-5701
www.soundcontrol.net

TITLE: Cubby Safety Enclosure-Assy.		
SIZE A	DWG. NO. 800-1147	REV
SCALE: 1:3	WEIGHT:	SHEET 1 OF 1