

SECTION A-A

BACK

UNLESS OTHERWISE SPECIFIED:

DIMENSIONS ARE IN INCHES
 TOLERANCES:
 FRACTIONAL ± 1/32"
 ANGULAR: MACH ± .5 BEND ± 1
 TWO PLACE DECIMAL ± .02
 THREE PLACE DECIMAL ± .010

INTERPRET GEOMETRIC
 TOLERANCING PER:

MATERIAL

FINISH

DO NOT SCALE DRAWING

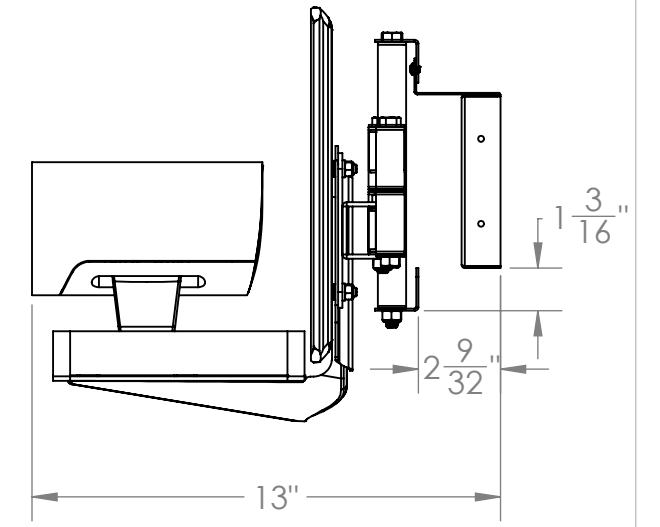
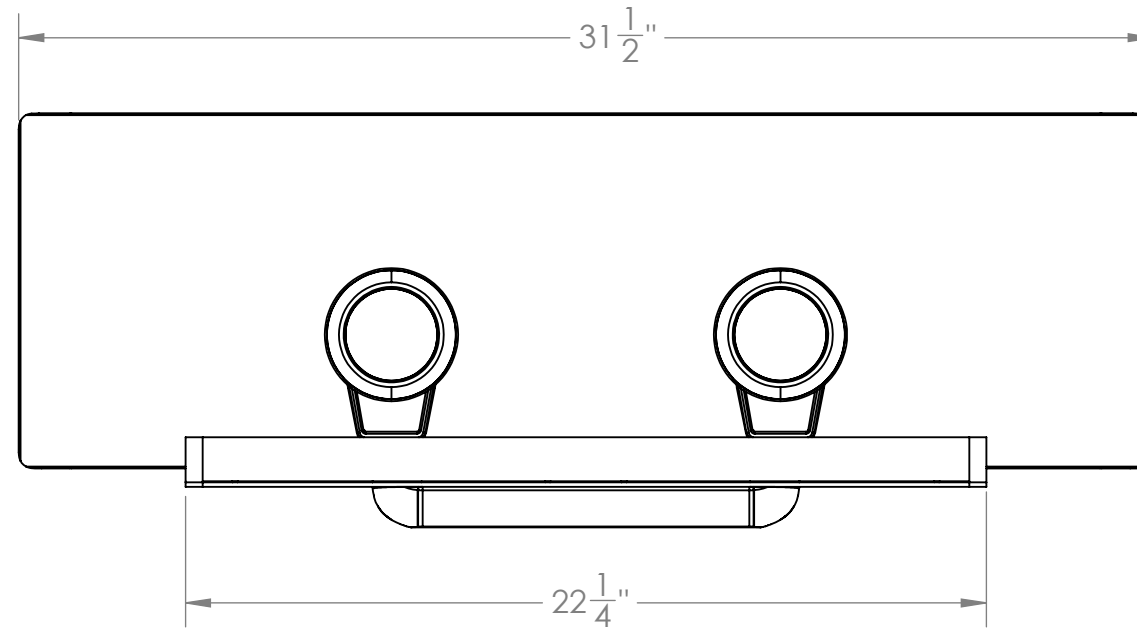
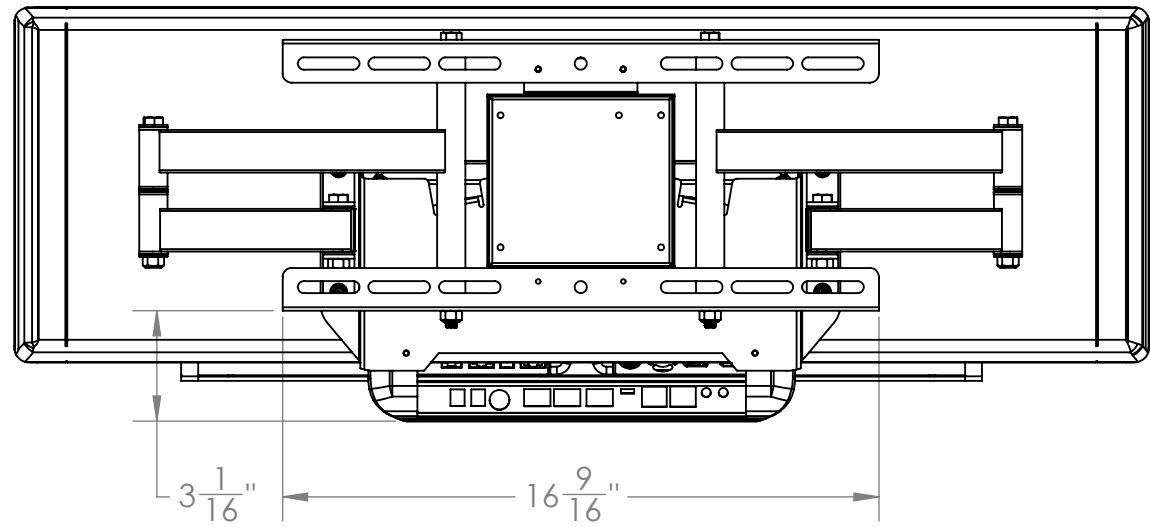
NAME	DATE
G.E.G.	
DRAWN	
CHECKED	
ENG APPR.	
MFG APPR.	
Q.A.	
COMMENTS:	

SCT Sound Control Technologies
 22 South Smith Street
 Norwalk, CT 06855
 (203) 854-5701
www.soundcontrol.net

TITLE:
 RCA-ST6 Articulating Wall Mount
 [Cisco SpeakerTrack 60]

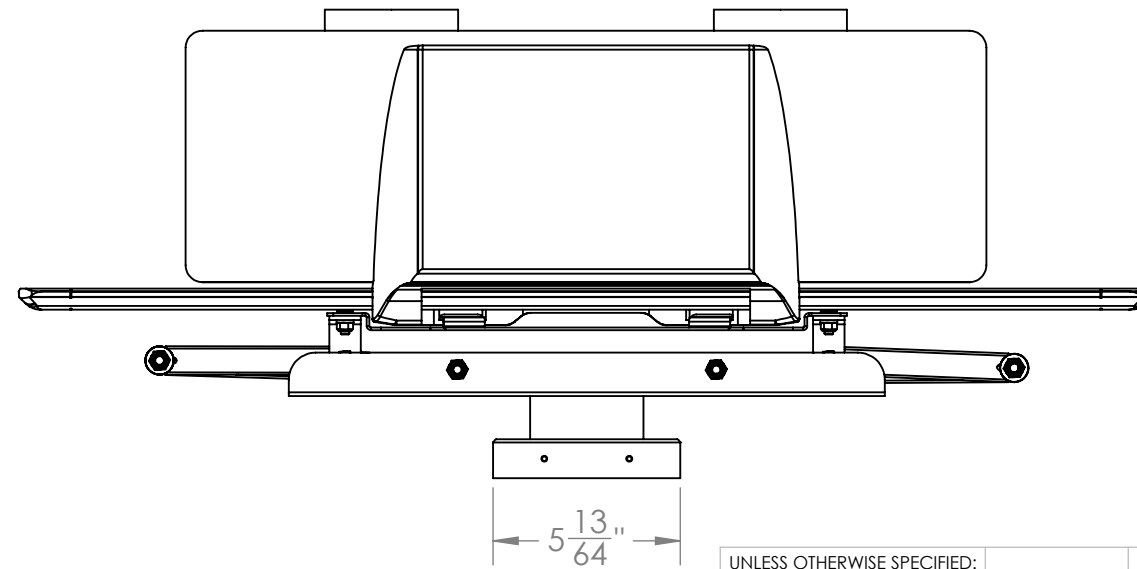
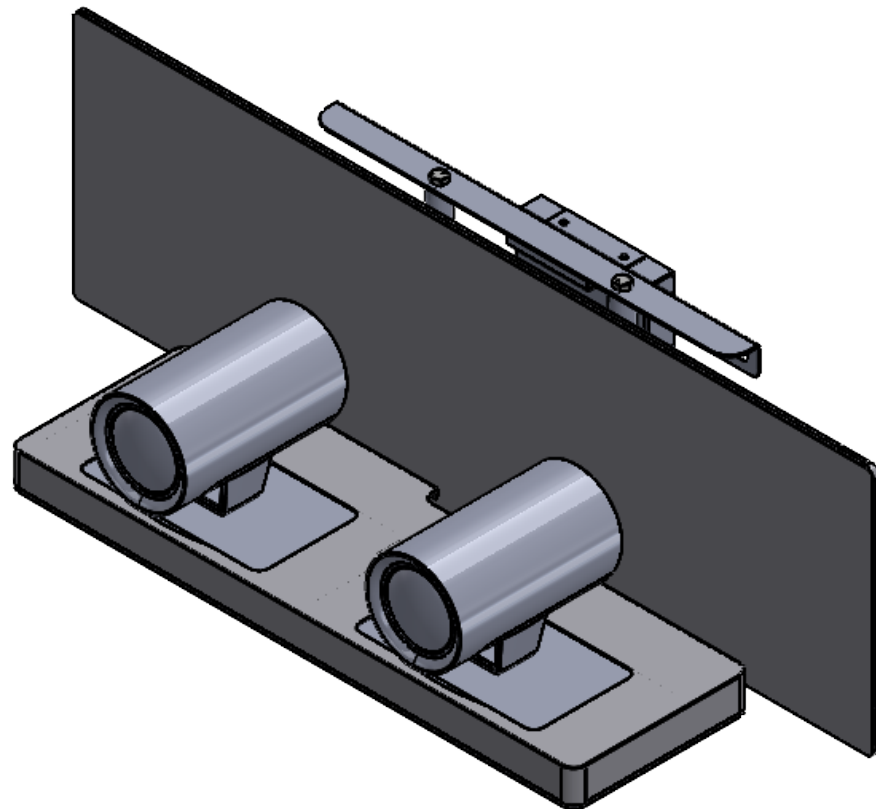
SIZE	DWG. NO.	REV
B	S60RC6	
SCALE: 1:4	WEIGHT:	SHEET 1 OF 2

PROPRIETARY AND CONFIDENTIAL
 THE INFORMATION CONTAINED IN THIS
 DRAWING IS THE SOLE PROPERTY OF
 Sound Control Tech. ANY
 REPRODUCTION IN PART OR AS A WHOLE
 WITHOUT THE WRITTEN PERMISSION OF
 Sound Control Tech. IS PROHIBITED.



A

A



PROPRIETARY AND CONFIDENTIAL
 THE INFORMATION CONTAINED IN THIS DRAWING IS THE SOLE PROPERTY OF Sound Control Tech. ANY REPRODUCTION IN PART OR AS A WHOLE WITHOUT THE WRITTEN PERMISSION OF Sound Control Tech. IS PROHIBITED.

UNLESS OTHERWISE SPECIFIED:
 DIMENSIONS ARE IN INCHES
 TOLERANCES:
 FRACTIONAL ± 1/32"
 ANGULAR: MACH ±.5 BEND ±1
 TWO PLACE DECIMAL ±.02
 THREE PLACE DECIMAL ±.010

INTERPRET GEOMETRIC TOLERANCING PER:
 MATERIAL
 FINISH
 DO NOT SCALE DRAWING

	NAME	DATE
DRAWN	G.E.G.	
CHECKED		
ENG APPR.		
MFG APPR.		
Q.A.		
COMMENTS:		

SCT Sound Control Technologies
 22 South Smith Street
 Norwalk, CT 06855
 (203) 854-5701
www.soundcontrol.net

TITLE:
RCA-ST6 Articulating Wall Mount
 [Cisco SpeakerTrack 60]

SIZE	DWG. NO.	REV
B	S60RC6	
SCALE: 3:16 WEIGHT:		SHEET 2 OF 2