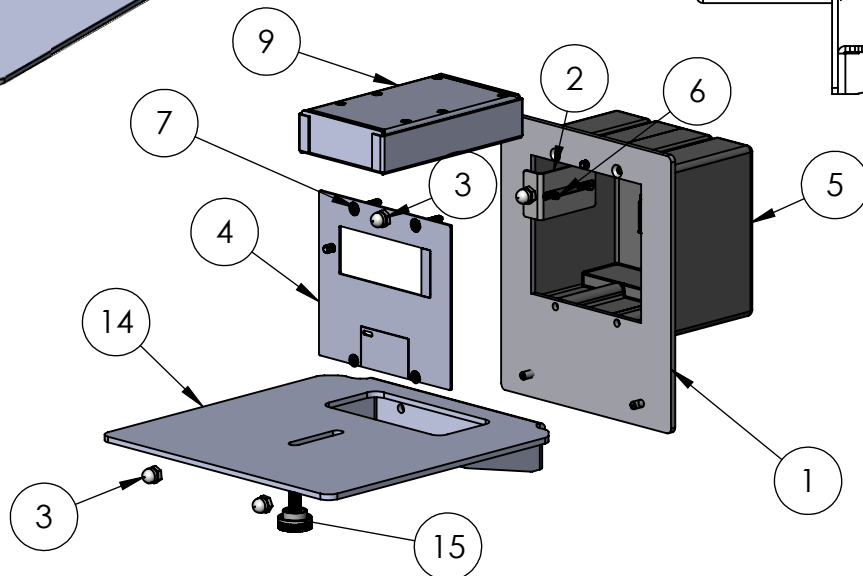
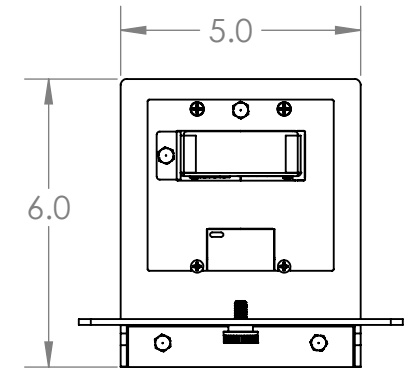
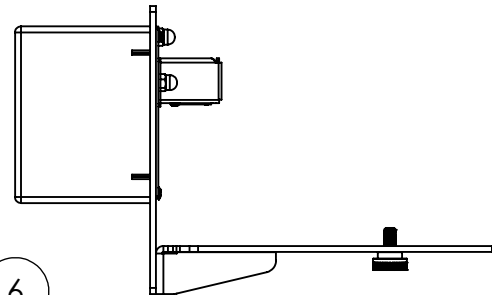
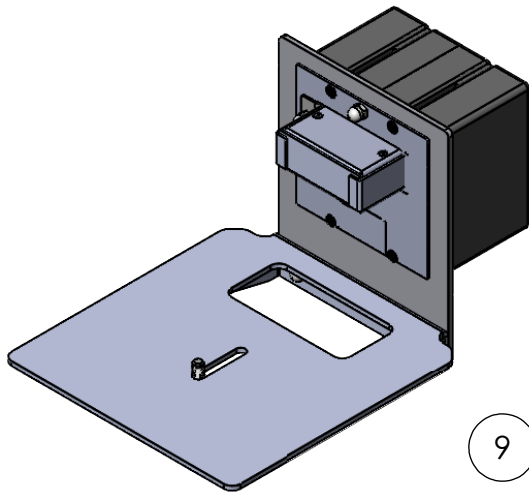
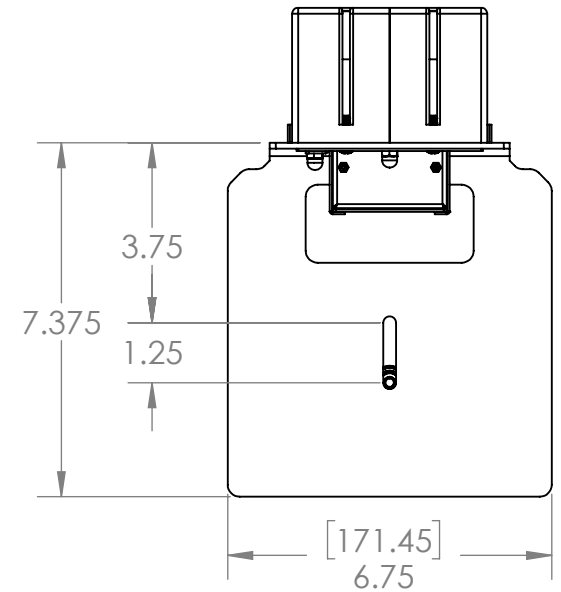


ITEM NO.	PART NUMBER	DESCRIPTION	QTY.
1	803-1102	RC5 WALL MOUNT PLATE	1
2	801-1102	Bracket- Mounting	1
3	90760A199	8-32 Cap Nut	4
4	802-1102	RC_CE WALL MOUNT Cover	1
5	2 Gang Wall Box	Wall-Box not Supplied	2
6	90272A144	PHPMS 6-32 X 1/4"	2
7	91802A151	6-32x3/4" OHPMS Black Face	4
9	800-1134	CAM END RC-CE	1
14	805-1121	RCM-USM Cam Shelf	1
15	92965A537	18mm Head 1/2"Lg.	1

Not Supplied



SCT Sound Control Technologies
 22 South Smith Street
 Norwalk, CT 06855
 (203) 854-5701
www.soundcontrol.net

TITLE: **RCM-USM**
150mm Universal
Camera Mount

PROPRIETARY AND CONFIDENTIAL
 THE INFORMATION CONTAINED IN THIS
 DRAWING IS THE SOLE PROPERTY OF
 Sound Control Tech. ANY REPRODUCTION
 IN PART OR AS A WHOLE
 WITHOUT THE WRITTEN PERMISSION OF
 Sound Control Tech. IS PROHIBITED.

SIZE	DWG. NO.	REV
A	RCM-USM	
G.E.G.	7/8/2022	SHEET 1 OF 1