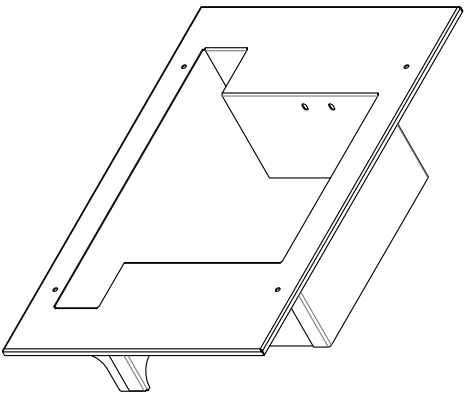


SECTION A-A



PROPRIETARY AND CONFIDENTIAL.
THE INFORMATION CONTAINED IN
THIS DRAWING IS THE SOLE PROPERTY
OF Sound Control Technologies (SCT)
NO REPRODUCTION IS PERMITTED
WITHOUT PRIOR WRITTEN CONSENT
OF SCT.

UNLESS OTHERWISE SPECIFIED		NAME	DATE
DIMENSIONS ARE IN INCHES	DRAWN		
TOLERANCES: 4.1/32"	CHECKED	DHN	
FRACTIONS: 1/16" 1/8" 3/16"	ENG APPR.		
THREE PLACE DECIMAL ±.002	MFG APPR.		
INTERPRET GEOMETRIC TOLERANCING PER	COMMENTS:		
MATERIAL			
FINISH			
DO NOT SCALE DRAWING			

Sound Control Technologies
28 KNIGHT STREET, NORWALK, CT 06851
(203) 854-5701 www.soundcontrol.net

TITLE:
**RemoteCam Recessed
PrecisionHD Wall Box**

SIZE DWG. NO. REV
B RCR-PHD 01.dwg

SCALE: 1/4" = 1" WEIGHT: SHEET 1 OF 1