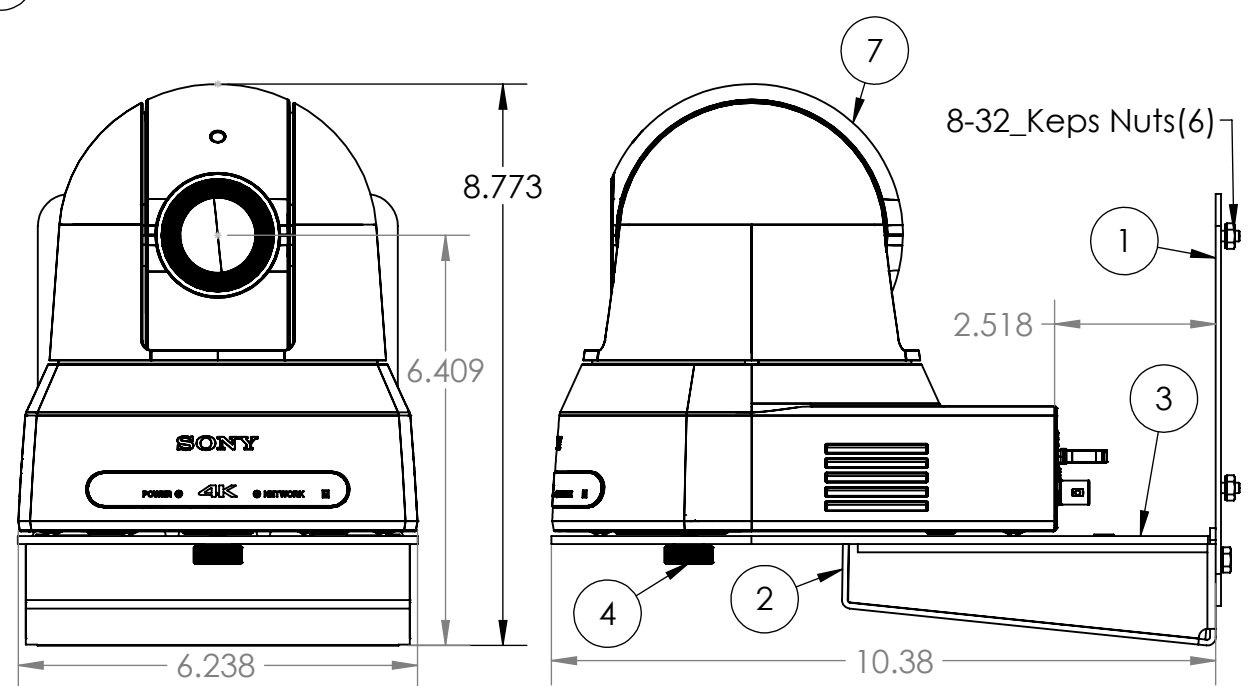


FOR REF.
ONLY

ITEM NO.	PART NUMBER	DESCRIPTION	QTY.
1	811-1162	Adapter Plate to Vesa Ceiling Mount	1
2	808-1162	Masonry Mount Universal Base	1
3	812-1162	Masonry Mount Camera Shelf Uni.	1
4	91185A660	1/4-20x3/8" Thumb Screw Black	1
5	94414A144	FHTMS-6-32x1/4"Black-Oxide Alloy Steel	2
6	800-1137	Camera End Module Case	1
7	BRC-X400	Camera	1



UNLESS OTHERWISE SPECIFIED:

DIMENSIONS ARE IN INCHES
TOLERANCES:
FRACTIONAL: $\pm 1/32"$
ANGULAR: MACH $\pm .25^\circ$ BEND $\pm .5^\circ$
TWO PLACE DECIMAL $\pm .02$
THREE PLACE DECIMAL $\pm .010$
HOLE SIZE $+ .003 / - .000$

INTERPRET GEOMETRIC TOLERANCING PER:

MATERIAL
FINISH

DO NOT SCALE DRAWING

	NAME	DATE
DRAWN	G.E.G.	6/20/2022
CHECKED		
ENG APPR.		
MFG APPR.		
Q.A.		

COMMENTS:

SCT Sound Control Technologies
22 South Smith Street
Norwalk, CT 06855
(203) 854-5701
www.soundcontrol.net

TITLE:
RCV-UNI ASSY.

PROPRIETARY AND CONFIDENTIAL
THE INFORMATION CONTAINED IN THIS DRAWING IS THE SOLE PROPERTY OF Sound Control Tech. ANY REPRODUCTION IN PART OR AS A WHOLE WITHOUT THE WRITTEN PERMISSION OF Sound Control Tech. IS PROHIBITED.

SIZE	DWG. NO.	REV
A	800-1162-VESA-UNI	
SCALE: 1:3	WEIGHT:	SHEET 1 OF 1