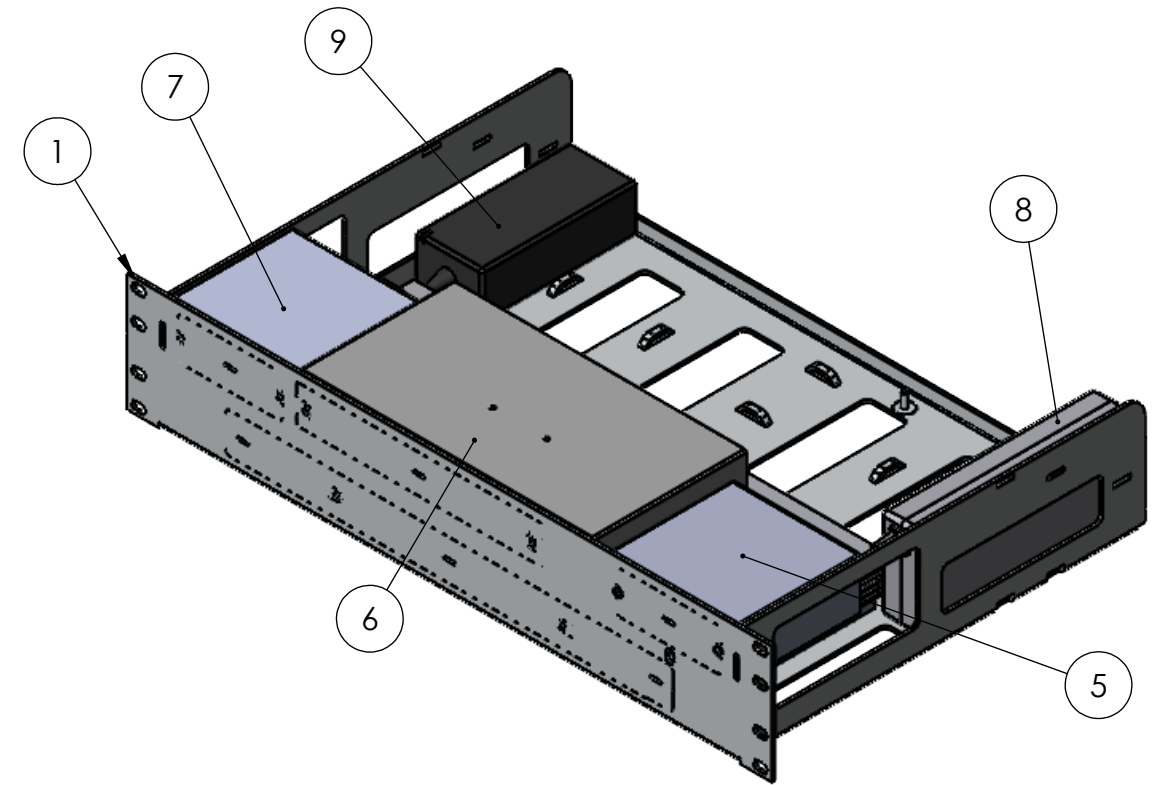
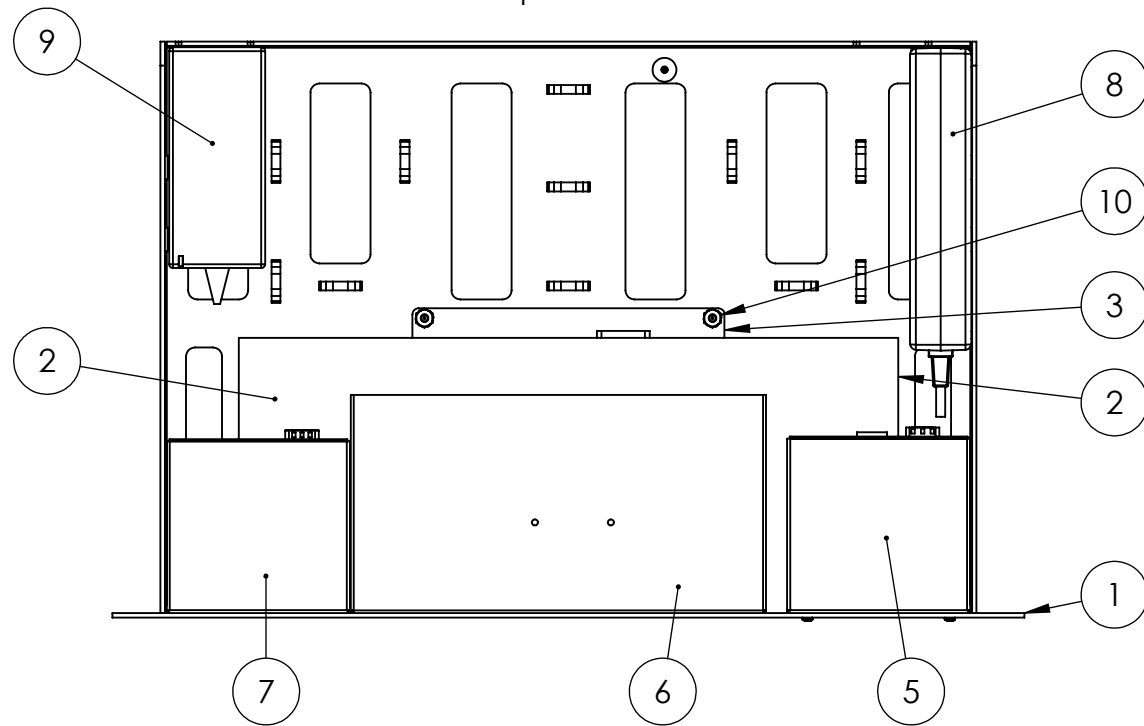


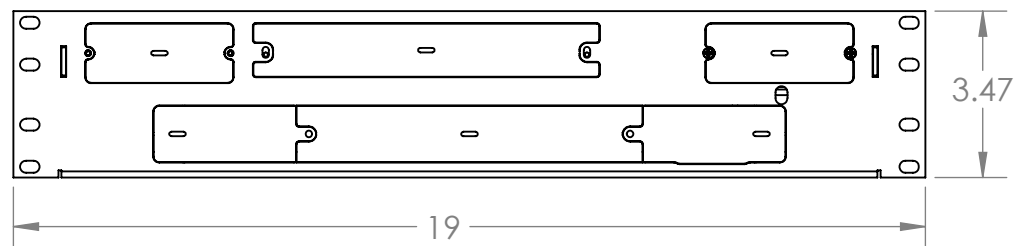
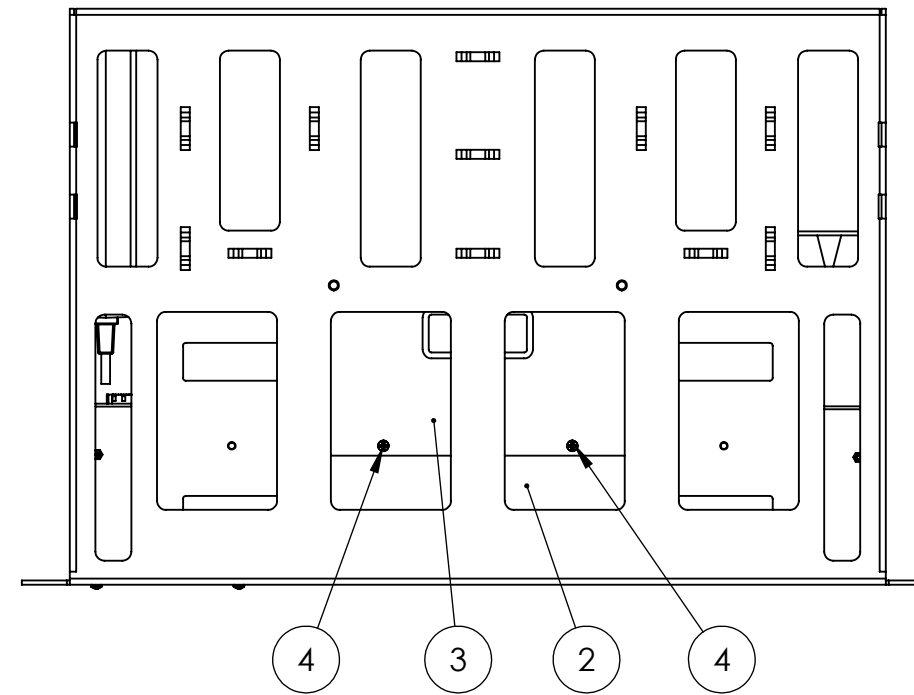
ITEM NO.	PART NUMBER	DESCRIPTION	QTY.
1	801-1124	RC-RKM Rack Shelf	1
2	G7500 Poly Codec	Polycon Codec G7500	1
3	803-1124	Retaining Plate G7500 PolyCodec	1
4	91698A300	M3-0.5 x 3mm FHPMS	2
5	800-1144	RC-04-05 Head End Assy. Rev.B	1
6	RC7-Rx	RC7-RX	1
7	800-1069	RC-SDA	1
8	GM130-48v	Power Supply	1
9	WPS-12 30v	Power Supply	1
10	90675A009	#8-32 Kepsnut	2
11	90272A106	4-40x1/4" PHPMS	2



Top View



Bottom View



UNLESS OTHERWISE SPECIFIED:

DIMENSIONS ARE IN INCHES
 TOLERANCES:
 FRACTIONAL ± 1/32"
 ANGULAR: MACH ±.5 BEND ±1
 TWO PLACE DECIMAL ±.02
 THREE PLACE DECIMAL ±.010

INTERPRET GEOMETRIC TOLERANCING PER:

MATERIAL

FINISH

DO NOT SCALE DRAWING

NAME DATE
 G.E.G. 11/23/2020

DRAWN

CHECKED

ENG APPR.

MFG APPR.

Q.A.

COMMENTS:

McMaster-Carr
 Numbers
 For Reference

SCT Sound Control Technologies
 22 South Smith Street
 Norwalk, CT 06855
 (203) 854-5701
www.soundcontrol.net

TITLE:
Shelf Assy,

SIZE DWG. NO. REV
B G7500-Rc7-HE-Rc4-HE-Rc-SDA

SCALE: 1:4 WEIGHT: SHEET 1 OF 1

PROPRIETARY AND CONFIDENTIAL
 THE INFORMATION CONTAINED IN THIS DRAWING IS THE SOLE PROPERTY OF Sound Control Tech. ANY REPRODUCTION IN PART OR AS A WHOLE WITHOUT THE WRITTEN PERMISSION OF Sound Control Tech. IS PROHIBITED.