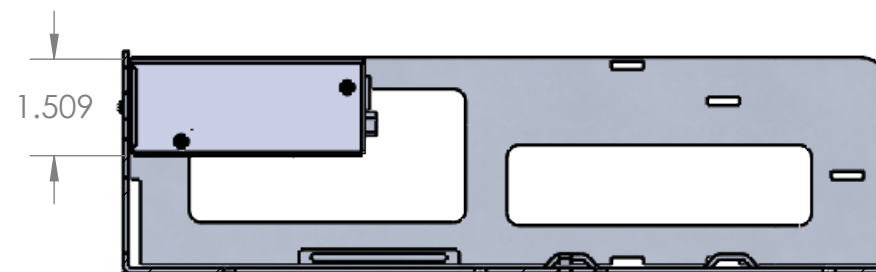
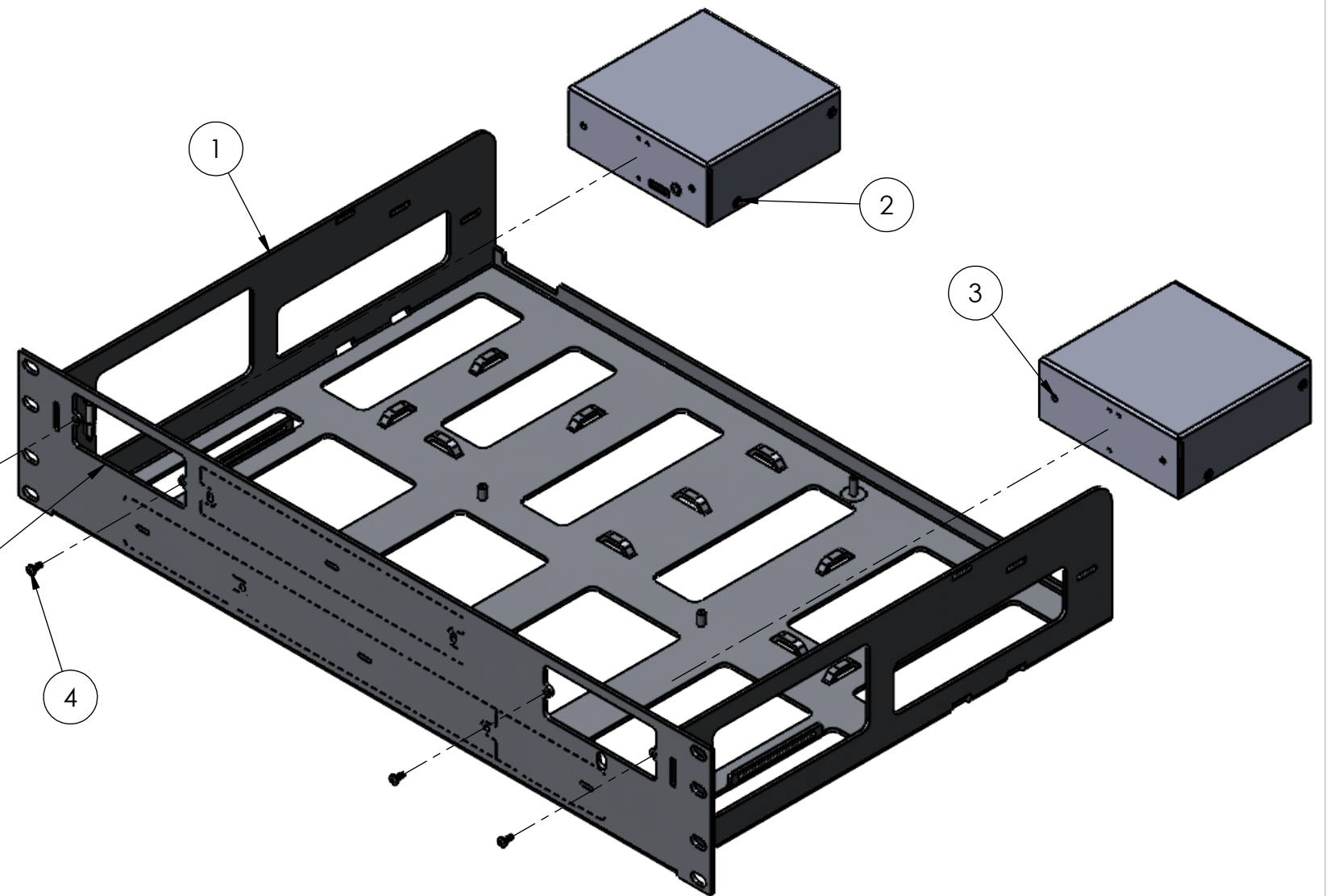


Remove Knock-Outs
AR



SECTION A-A

ITEM NO.	PART NUMBER	DESCRIPTION	QTY.
1	801-1124_	RKM- Rack Shelf	1
2	800-1144	RC4 RX/ Head End Module Case	1
3	800-1146	RC5 RX/ Head End Module Case	1
4	91249A105	PHPMS #4-40x 1/4"	4

SCT Sound Control Technologies
 22 South Smith Street
 Norwalk, CT 06855
 (203) 854-5701
www.soundcontrol.net

TITLE:
**RC-RKM with RC-HE
 Mounting**

PROPRIETARY AND CONFIDENTIAL
 THE INFORMATION CONTAINED IN THIS
 DRAWING IS THE SOLE PROPERTY OF
 Sound Control Tech. ANY
 REPRODUCTION IN PART OR AS A WHOLE
 WITHOUT THE WRITTEN PERMISSION OF
 Sound Control Tech. IS PROHIBITED.

SIZE	DWG. NO.	REV
B	RC-RKM_RC5-HE	
NAME	G.E.G.	DATE 9/22/2021
		SHEET 1 OF 1