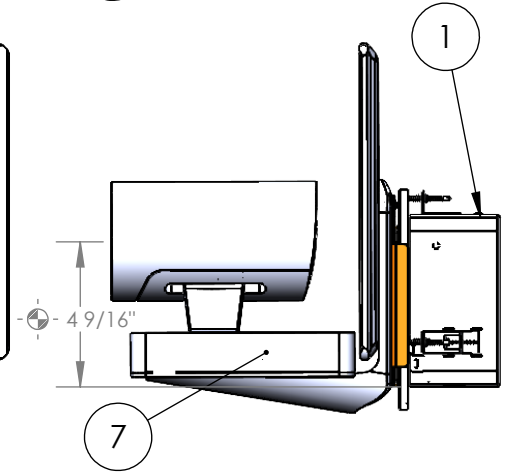
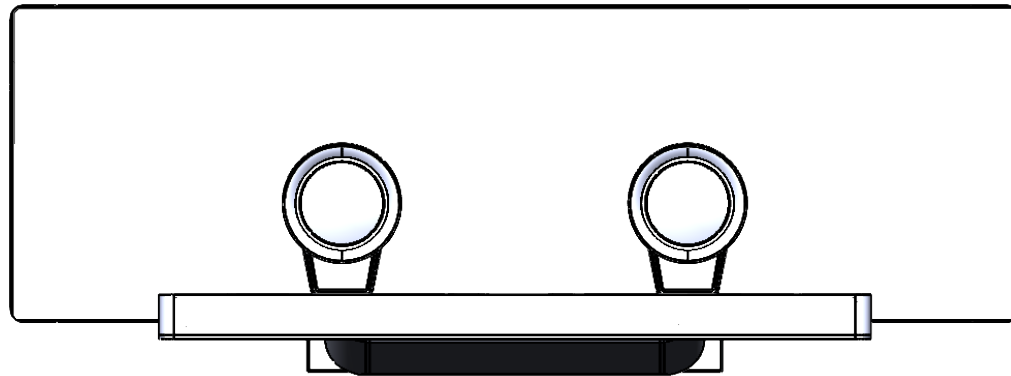


Remove Knock-Outs to be Used  
Then Place Box in Wall Cut-Out  
Install Clamp Assys. as Shown



These are Item Numbers  
NOT  
Step Numbers

ITEM NO.	PART NUMBER	DESCRIPTION	QTY.
1	804-1147web1	Cubby-Back Box Version 2	1
2	808-1109	Split Face Plate Top Cubby	1
3	809-1109	Split Face Plate Bottom Cubby	1
4	802-1113	Cubby Base Plate for Cisco Speakertrack	1
5	812-1109	Cubby Camera Plate for Cisco Speakertrack	1
6	RC6ceTxAssy	RC6ceTxAssy	1
7	ST60	Cisco Speaker Track 60	1
8	800-1107	Wall-Clamp Assy.	4
9	94195A180	FHPDS# 10-16x 1 1/2"	4
10	92832A338	BHTMS M4x20mm Lg.	4
11	96640A054	FHPMS 4-40 x 1/4"Lg	2

**SCT** Sound Control Technologies  
 22 South Smith Street  
 Norwalk, CT 06855  
 (203) 854-5701  
[www.soundcontrol.net](http://www.soundcontrol.net)

TITLE:  
**Cubby ST60 Assy**

**PROPRIETARY AND CONFIDENTIAL**  
 THE INFORMATION CONTAINED IN THIS  
 DRAWING IS THE SOLE PROPERTY OF  
 Sound Control Tech. ANY REPRODUCTION  
 IN PART OR AS A WHOLE  
 WITHOUT THE WRITTEN PERMISSION OF  
 Sound Control Tech. IS PROHIBITED.

SIZE <b>A</b>	DWG. NO. CUBY-ST60web1	REV
G.E.G.	12/10/2020	SHEET 1 OF 1