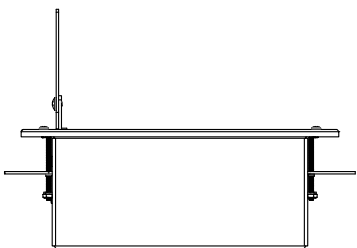
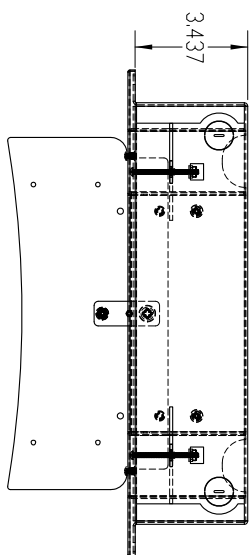
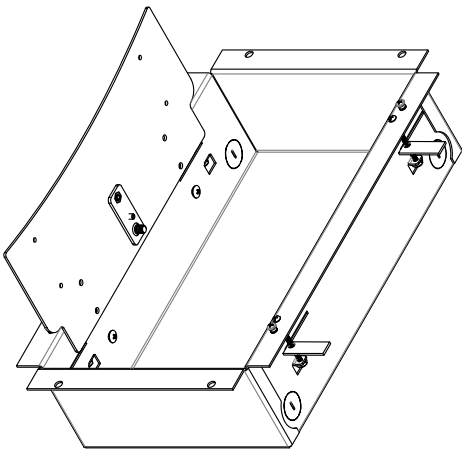
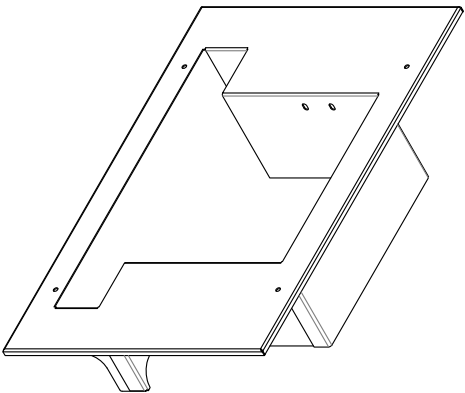
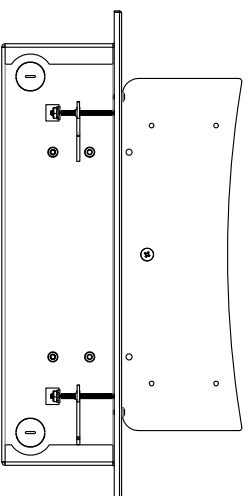
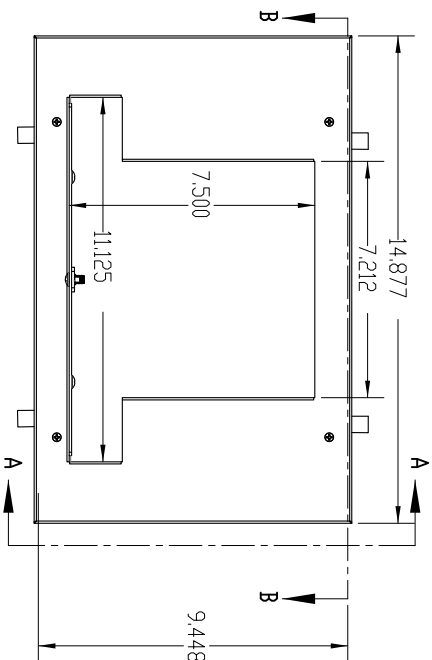


SECTION B-B



SECTION A-A



PROPRIETARY AND CONFIDENTIAL.
THE INFORMATION CONTAINED IN
THIS DRAWING IS THE SOLE PROPERTY
OF Sound Control Technologies (SCT)
NO REPRODUCTION IS PERMITTED
WITHOUT THE WRITTEN CONSENT
OF SCT.

UNLESS OTHERWISE SPECIFIED	
DIMENSIONS ARE IN INCHES	
TOLERANCES	±.1/32"
FINISH	AS FURNISHED
THREADS	BRN F1
WELD PLACE	DECIMAL ±.02
THREE PLACE	DECIMAL ±.00

DATE	NAME	REVISION
	DRAWN	
	CHECKED	DIN
	ENG APPR.	
	MFG APPR.	

Sound Control Technologies
28 KNIGHT STREET, NORWALK, CT 06851
(203) 854-5701 www.soundcontrol.net

**RemoteCam Recessed
EagleEye Wall Box**

FINISH	COMMENTS	SIZE DWG. NO.	REV
		B	

DO NOT SCALE DRAWING SCALE: 1/4" = 1" WEIGHT: SHEET 1 OF 1