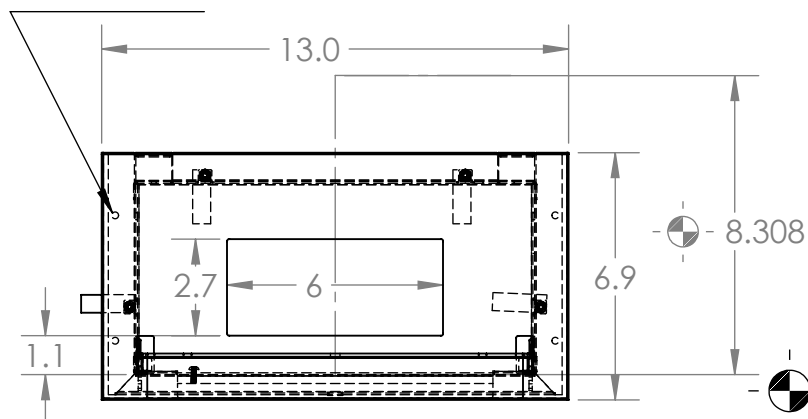
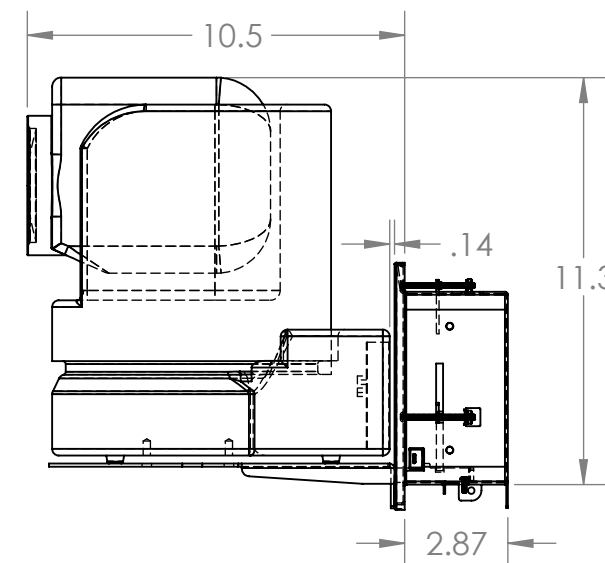
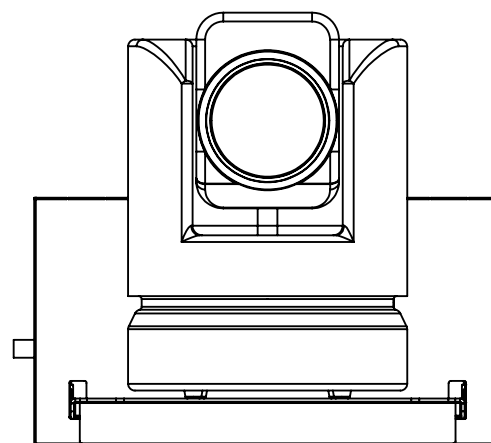


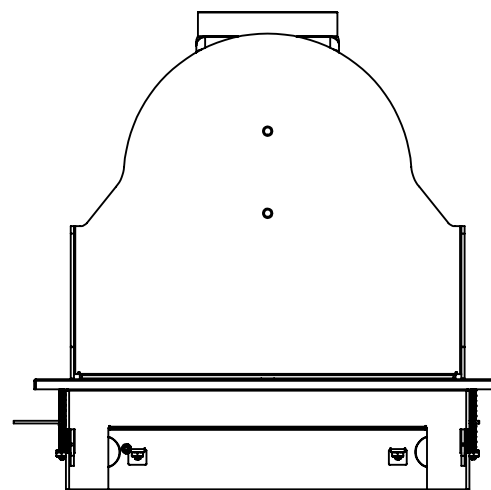
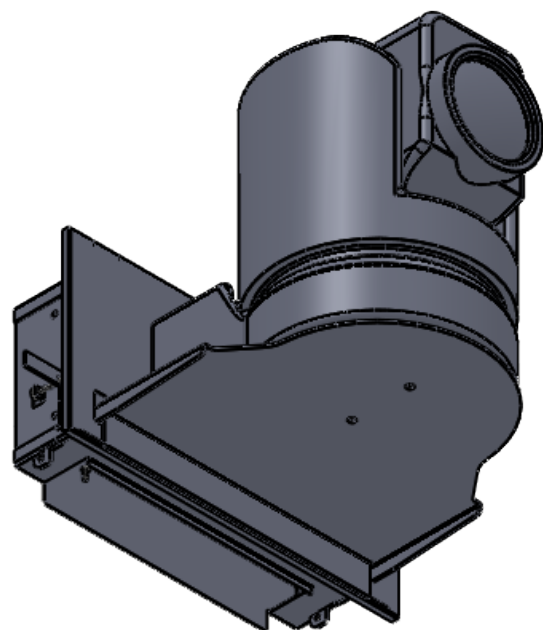
2 Holes Each Side for
Solid Sub Support Mounting
Use #6 Flat Head Drywall Screws
or Similar When Paws not Used



Q of LENS
When Box resting on Cut-Out



Wall Cut-Out
See Templet
provided with
Wall Box.



PROPRIETARY AND CONFIDENTIAL
THE INFORMATION CONTAINED IN THIS
DRAWING IS THE SOLE PROPERTY OF
Sound Control Tech. ANY
REPRODUCTION IN PART OR AS A WHOLE
WITHOUT THE WRITTEN PERMISSION OF
Sound Control Tech IS PROHIBITED.

UNLESS OTHERWISE SPECIFIED:
DIMENSIONS ARE IN INCHES
TOLERANCES:
FRACTIONAL $\pm 1/32"$
ANGULAR: MACH $\pm .25^\circ$ BEND $\pm .5^\circ$
TWO PLACE DECIMAL $\pm .02$
THREE PLACE DECIMAL $\pm .010$
HOLE SIZE $+ .003 / -.000$
INTERPRET GEOMETRIC
TOLERANCING PER:
MATERIAL
FINISH
DO NOT SCALE DRAWING

	NAME	DATE
DRAWN	G.E.G.	09/18/19
CHECKED		
ENG APPR.		
MFG APPR.		
Q.A.		
COMMENTS:		

SCT Sound Control Technologies
22 South Smith Street
Norwalk, CT 06855
(203) 854-5701
www.soundcontrol.net

TITLE: Cubby 01 BRC Dimensions		
SIZE B	DWG. NO. 901-1000	REV
SCALE: 3:16	WEIGHT:	SHEET 1 OF 1