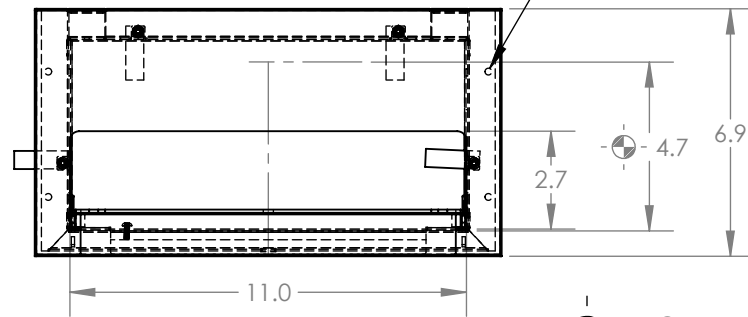
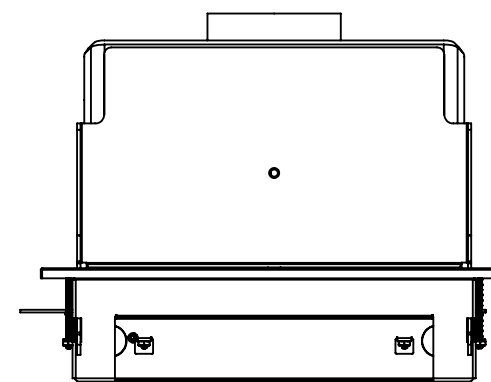
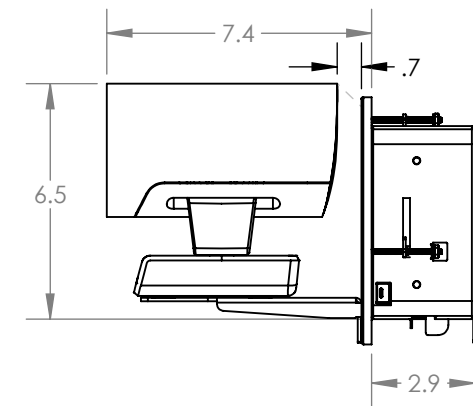
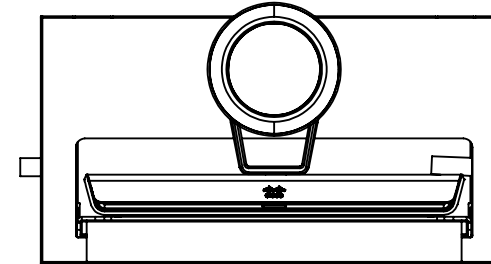


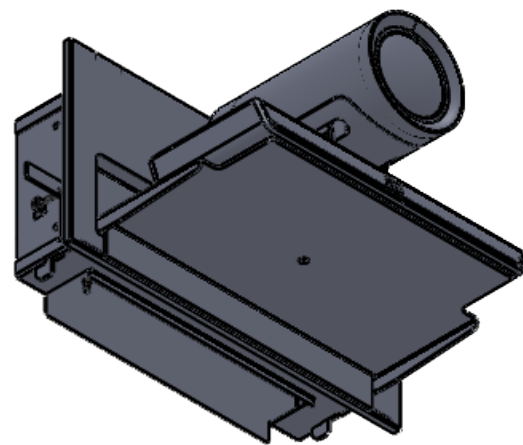
2 Holes Each Side for
Solid Sub Support Mounting
Use #6 Flat Head Drywall Screws
or Similar When Paws not Used



$\ominus \text{ } \varnothing$ of LENS
When Box resting on Cut-Out



Wall Cut-Out
See Templet
provided with
Wall Box.



PROPRIETARY AND CONFIDENTIAL
THE INFORMATION CONTAINED IN THIS
DRAWING IS THE SOLE PROPERTY OF
Sound Control Tech. ANY
REPRODUCTION IN PART OR AS A WHOLE
WITHOUT THE WRITTEN PERMISSION OF
Sound Control Tech IS PROHIBITED.

UNLESS OTHERWISE SPECIFIED:
DIMENSIONS ARE IN INCHES
TOLERANCES:
FRACTIONAL $\pm 1/32"$
ANGULAR: MACH $\pm .25^\circ$ BEND $\pm .5^\circ$
TWO PLACE DECIMAL $\pm .02$
THREE PLACE DECIMAL $\pm .010$
HOLE SIZE $+.003 / -.000$
INTERPRET GEOMETRIC
TOLERANCING PER:
MATERIAL
FINISH
DO NOT SCALE DRAWING

NAME	DATE
G.E.G.	08/26/19
DRAWN	
CHECKED	
ENG APPR.	
MFG APPR.	
Q.A.	
COMMENTS:	

SCT Sound Control Technologies
22 South Smith Street
Norwalk, CT 06855
(203) 854-5701
www.soundcontrol.net

TITLE: Cubby 01 P60 Dimensions		
SIZE B	DWG. NO. 901-1002	REV
SCALE: 3:16 WEIGHT:		SHEET 1 OF 1