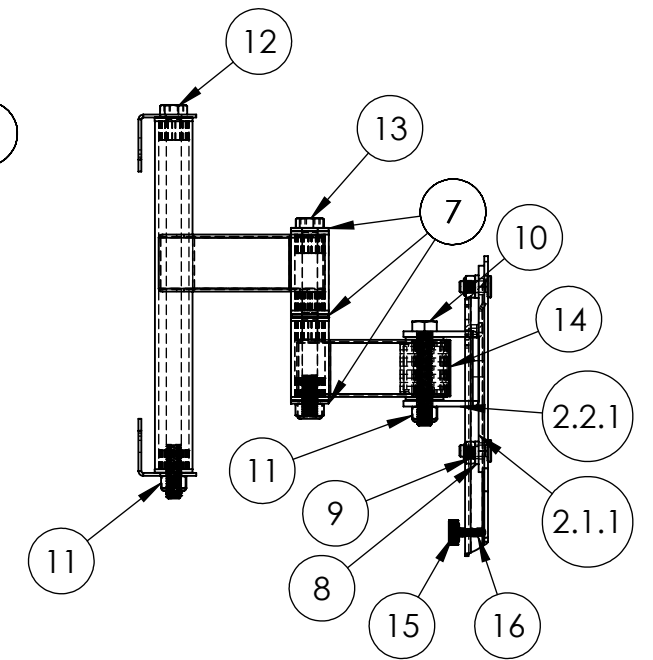
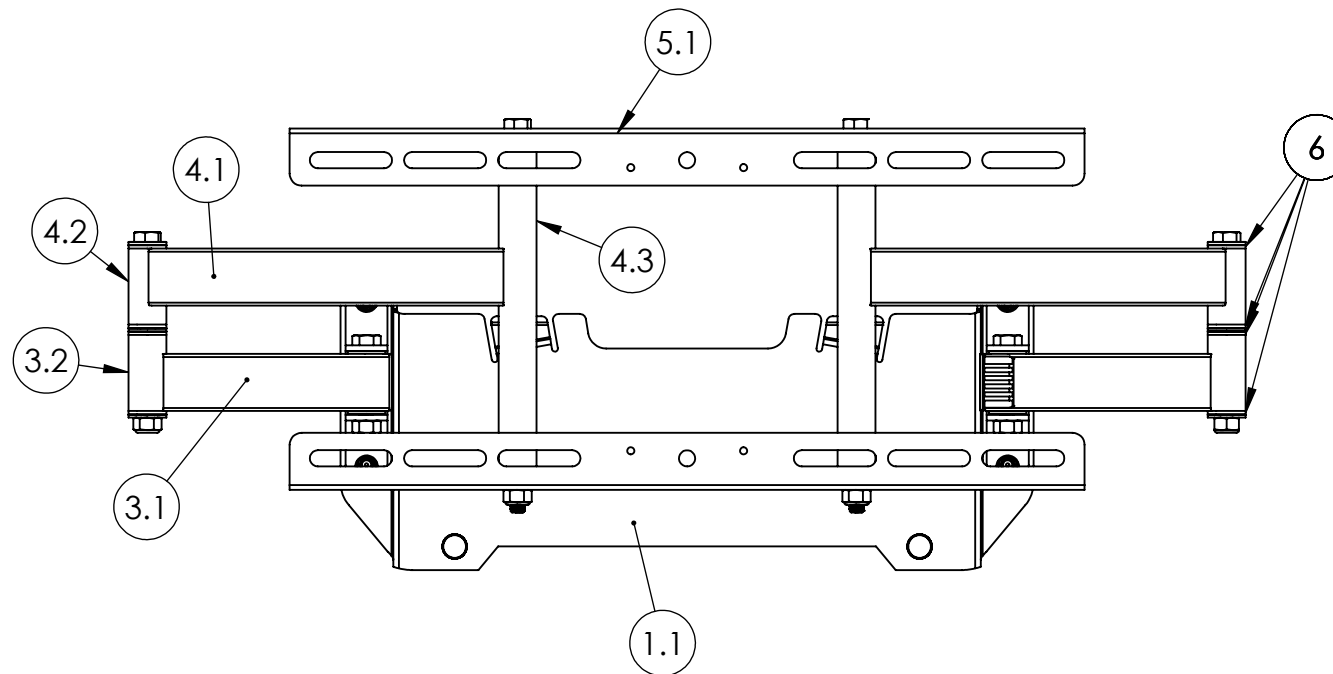


ITEM NO.	PART NUMBER	DESCRIPTION	QTY.
2.1	artl-0008	Mtg. Plate	1
1.2		THFE-M6-12 Pem	4
2	artl-0002_3	Pivot Brkt. Weld Assy.	2
2.1	artl-0002	Flat ob Brkt.	1
2.2	artl-0003	"C" ob Brkt.	1
3	artl-0006_4	Short Tube Assy./Weld	2
3.1	artl-0006	Short Rect. tube	1
3.2	artl-0004	Short tube	1
4	artl-0007_4_5	Long Rect. Tube Assy./Weld	2
4.1	artl-0007	Long Rect. Tube	1
4.2	artl-0004	Short tube	1
4.3	artl-0005	Long tube	1
5	artl-0001	Large Angle Brkt.	2
6	Bush_Bear	Tube Bearing /Bushing(M8) Insert	12
7	STL_Wash	Steel Washer 8.5mm ID 20mm OD 1.5mm THK	10
8	91166A250	M6 Flat Washer	4
9	90576A115	M6 NYLOCK Hex Nut	4
10	91280A546	M8 x 50 HHCS	2
11	90576A117	M8 NYLOCK Hex Nut	6
12	91247A611	M8 x 200 HHCS	2
13	91280A562	M8 x 100 HHCS	2
14	Rect Tube Plug	Tubing End Plug Rect.	2
15	96016A121	M4x12 Thumb Screw	2
16	Thread cap	M4 Thread Cap	2



9xxxxAxxx #'s are McMaster Carr Ref. only

PROPRIETARY AND CONFIDENTIAL
 THE INFORMATION CONTAINED IN THIS DRAWING IS THE SOLE PROPERTY OF Sound Control Tech. ANY REPRODUCTION IN PART OR AS A WHOLE WITHOUT THE WRITTEN PERMISSION OF Sound Control Tech IS PROHIBITED.

UNLESS OTHERWISE SPECIFIED:
 DIMENSIONS ARE IN INCHES
 TOLERANCES:
 FRACTIONAL ± 1/32"
 ANGULAR: MACH ± .25° BEND ± .5"
 TWO PLACE DECIMAL ± .02
 THREE PLACE DECIMAL ± .010
 HOLE SIZE +.003 / -.000

INTERPRET GEOMETRIC TOLERANCING PER:
 MATERIAL

FINISH

DO NOT SCALE DRAWING

NAME	DATE
DRAWN G.E.G.	03/05/19
CHECKED	
ENG APPR.	
MFG APPR.	
Q.A.	
COMMENTS:	

SCT Sound Control Technologies 22 South Smith Street
 Norwalk, CT 06855
 (203) 854-5701
www.soundcontrol.net

TITLE:
RCA-ST6 Articulating Wall Mount for CiscoSpeakerTrack

SIZE	DWG. NO.	REV
B	Full assy	

SCALE: 1:4 WEIGHT: SHEET 1 OF 1