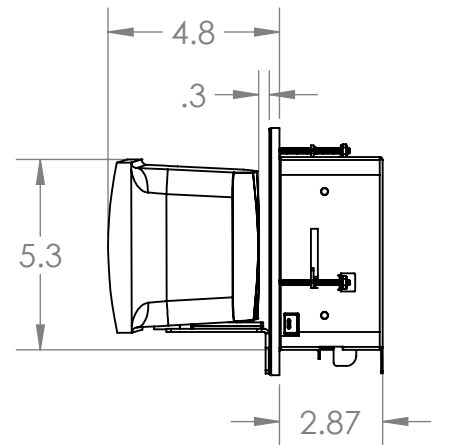
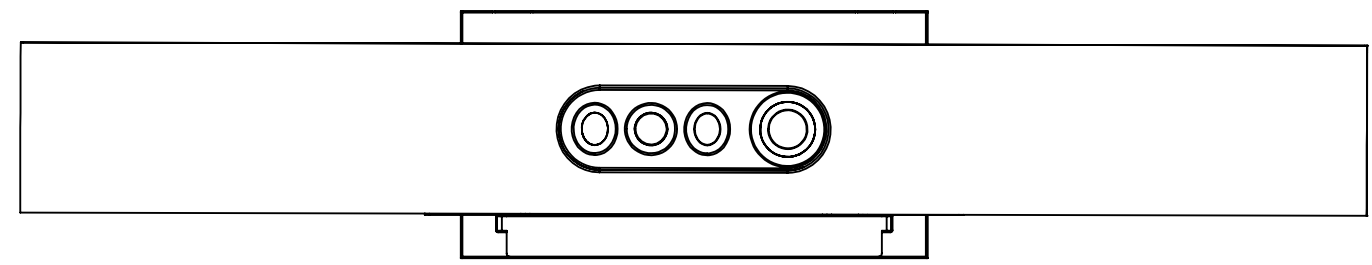
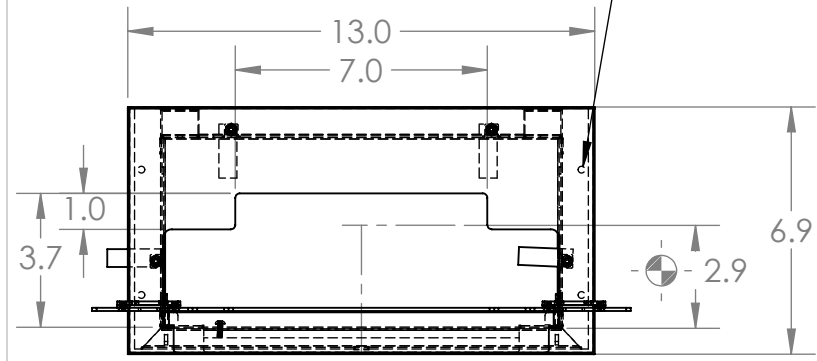
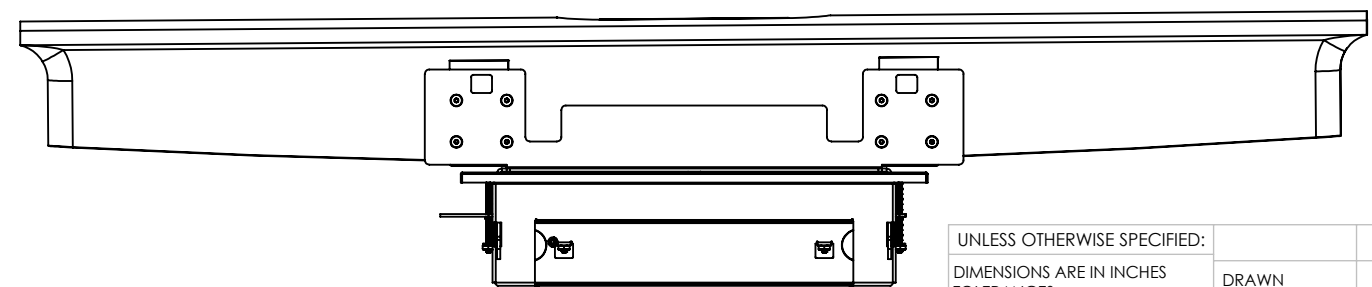
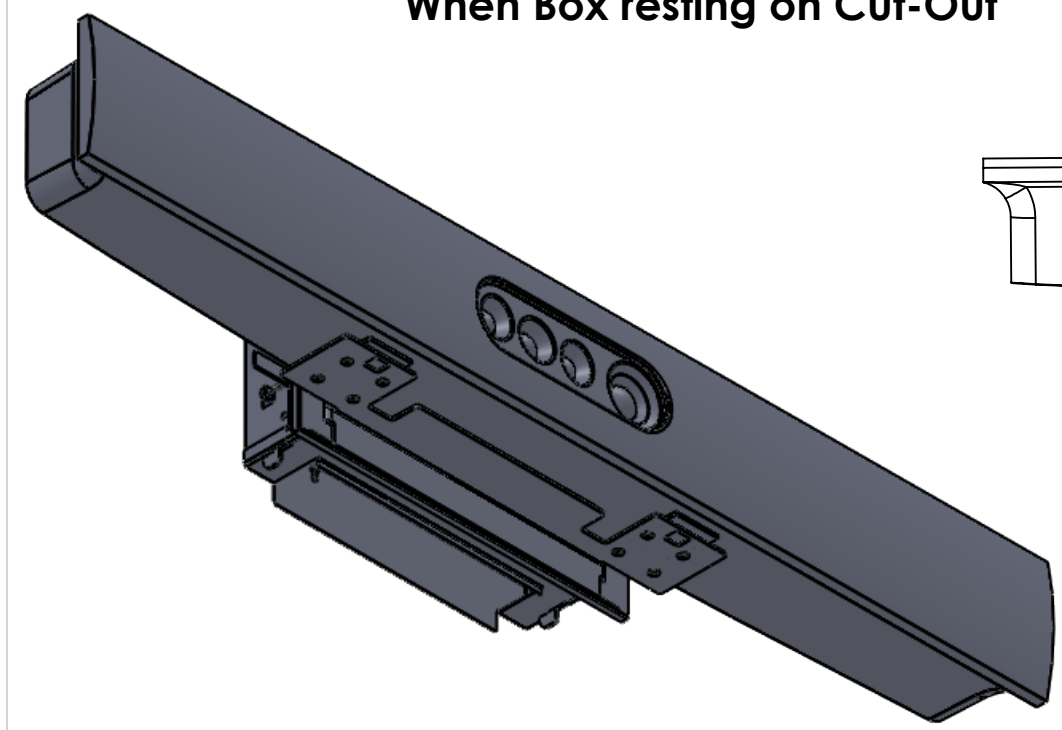


2 Holes Each Side for
Solid Sub Support Mounting
Use #6 Flat Head Drywall Screws
or Similar When Paws not Used



☉ of LENS
When Box resting on Cut-Out



Wall Cut-Out
See Templet
provided with
Wall Box.

PROPRIETARY AND CONFIDENTIAL
THE INFORMATION CONTAINED IN THIS
DRAWING IS THE SOLE PROPERTY OF
Sound Control Tech. ANY
REPRODUCTION IN PART OR AS A WHOLE
WITHOUT THE WRITTEN PERMISSION OF
Sound Control Tech IS PROHIBITED.

UNLESS OTHERWISE SPECIFIED:
DIMENSIONS ARE IN INCHES
TOLERANCES:
FRACTIONAL ± 1/32"
ANGULAR: MACH ± .25° BEND ± .5°
TWO PLACE DECIMAL ± .02
THREE PLACE DECIMAL ± .010
HOLE SIZE +.003 / -.000
INTERPRET GEOMETRIC
TOLERANCING PER:
MATERIAL
FINISH
DO NOT SCALE DRAWING

NAME	DATE
G.E.G.	09/18/19
DRAWN	
CHECKED	
ENG APPR.	
MFG APPR.	
Q.A.	
COMMENTS:	

SCT Sound Control Technologies
22 South Smith Street
Norwalk, CT 06855
(203) 854-5701
www.soundcontrol.net

TITLE: Cubby 01 Quad Dimensions		
SIZE B	DWG. NO. 901-1003	REV
SCALE: 3:16	WEIGHT:	SHEET 1 OF 1