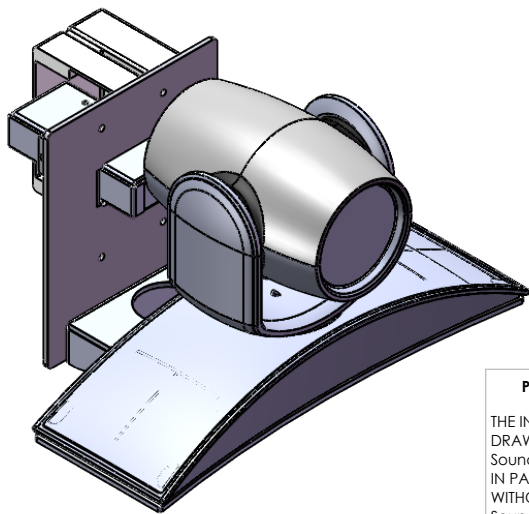
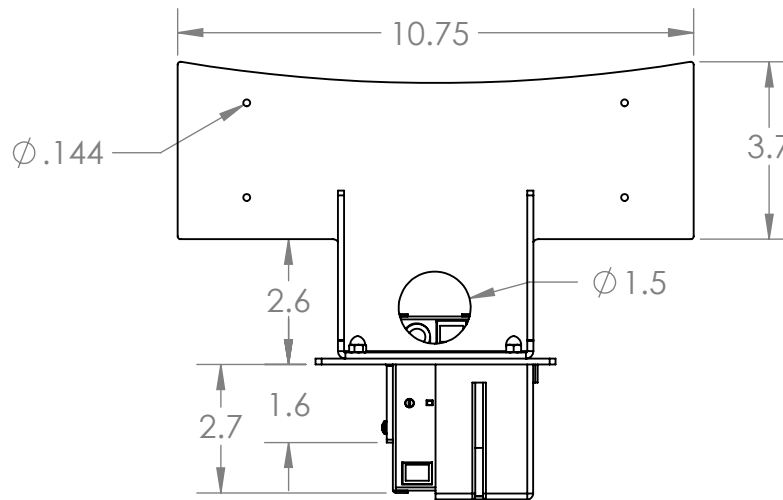


Center Line  
of  
Lens



**PROPRIETARY AND CONFIDENTIAL**  
THE INFORMATION CONTAINED IN THIS DRAWING IS THE SOLE PROPERTY OF Sound Control Tech. ANY REPRODUCTION IN PART OR AS A WHOLE WITHOUT THE WRITTEN PERMISSION OF Sound Control Tech IS PROHIBITED.

UNLESS OTHERWISE SPECIFIED:	NAME	DATE
DIMENSIONS ARE IN INCHES	DRAWN	G.E.G. 10/31/19
TOLERANCES:	CHECKED	
FRACTIONAL ± 1/32"	ENG APPR.	
ANGULAR: MACH ± .25° BEND ± .5°	MFG APPR.	
TWO PLACE DECIMAL ± .02	Q.A.	
THREE PLACE DECIMAL ± .010	COMMENTS:	
HOLE SIZE +.003 / -.000		
INTERPRET GEOMETRIC TOLERANCING PER:		
MATERIAL		
FINISH		
DO NOT SCALE DRAWING		

**SCT Sound Control Technologies** 22 South Smith Street  
Norwalk, CT 06855  
(203) 854-5701  
[www.soundcontrol.net](http://www.soundcontrol.net)

TITLE:  
**RCM-EE1 Wall Mount  
[Polycom EagleEye I, II & III]**

SIZE	DWG. NO.	REV
<b>A</b>	RC2-EE1_Wall_Mount	
SCALE: 1:4	WEIGHT:	SHEET 1 OF 1