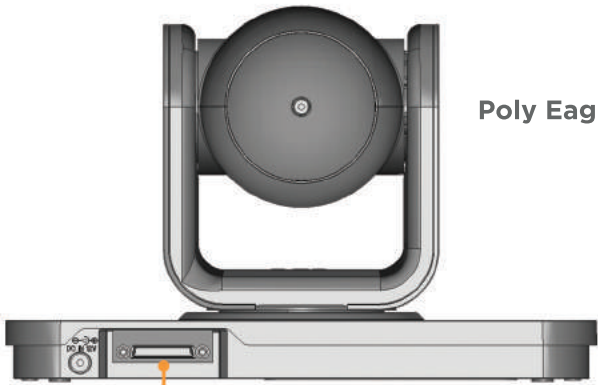


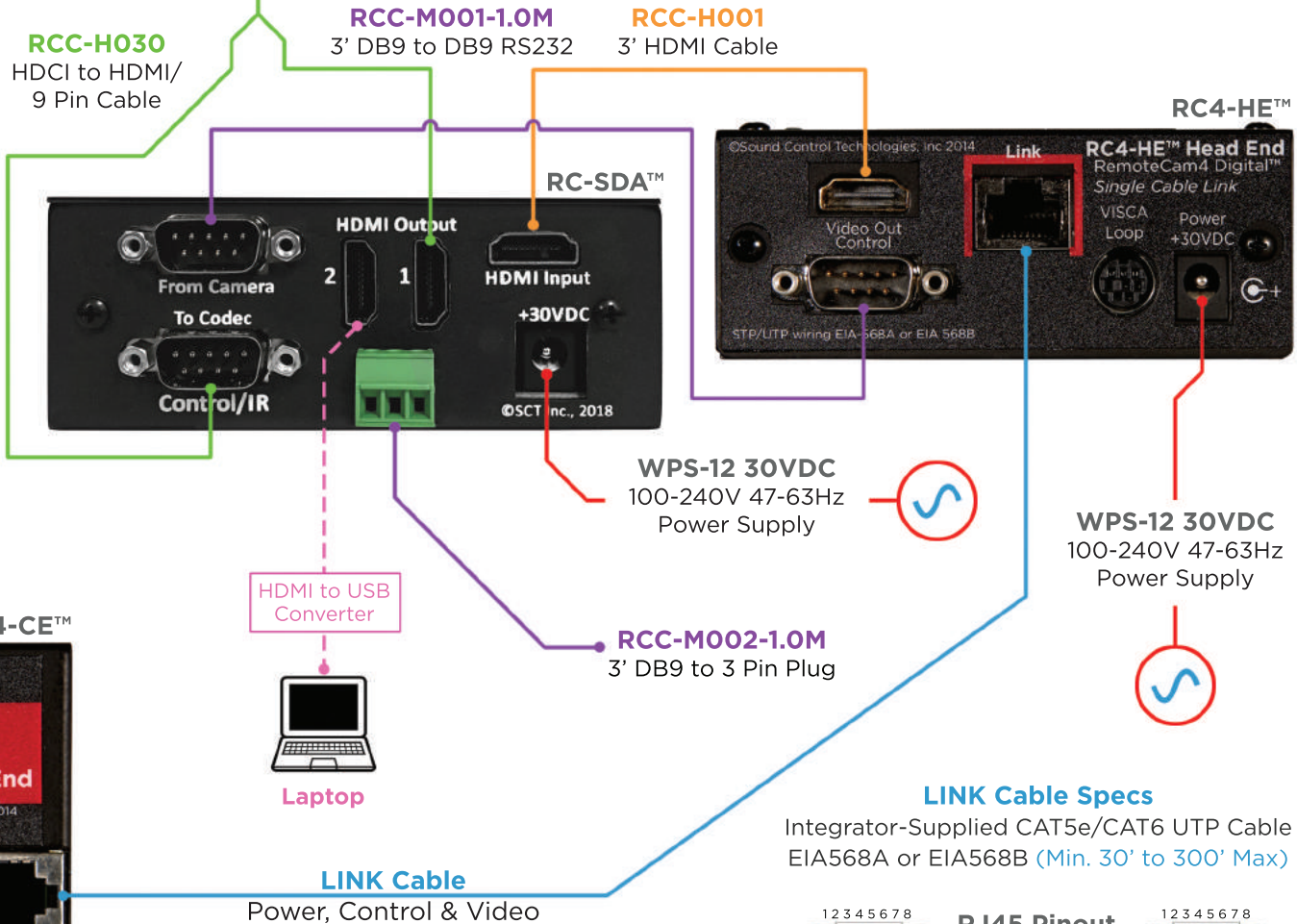


RC4-E4P™ + RC-SDA™ Application Guide

Poly RPG300, RPG500 & RPG700



Poly EagleEye IV



Dipswitch Position
for use with Poly Codec

1	2	3	4
UP	DOWN	UP	UP

Note: S2 on front of RC-SDA™ will reset tracking mode ON.

RCC-C030 HDMI/RJ45 to Mini-HDCI Cable

RC4-CE™



Module Dimensions

RC4-CE™: 2.5" W x 0.875"H x 3.6875"D

RC4-HE™/RC-SDA™: 3.75"W x 1.5"H x 3.625"D

