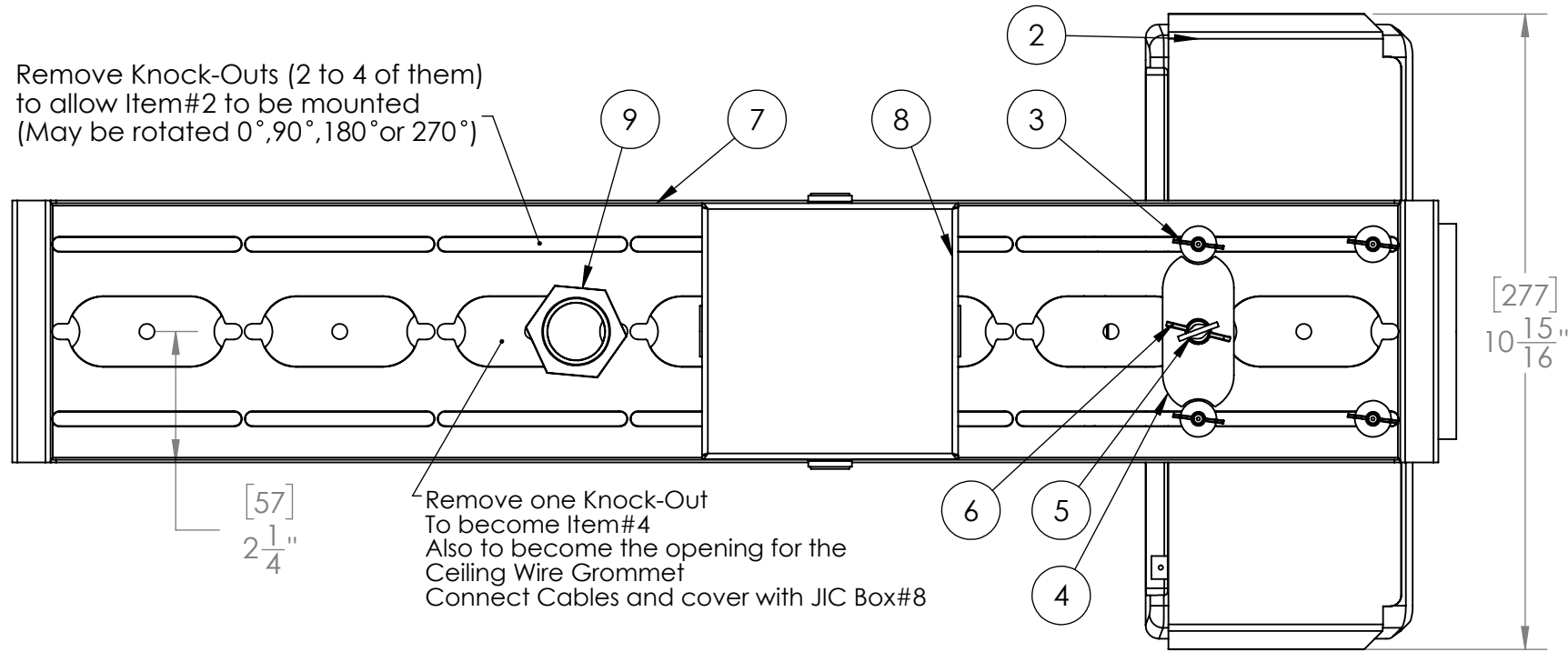
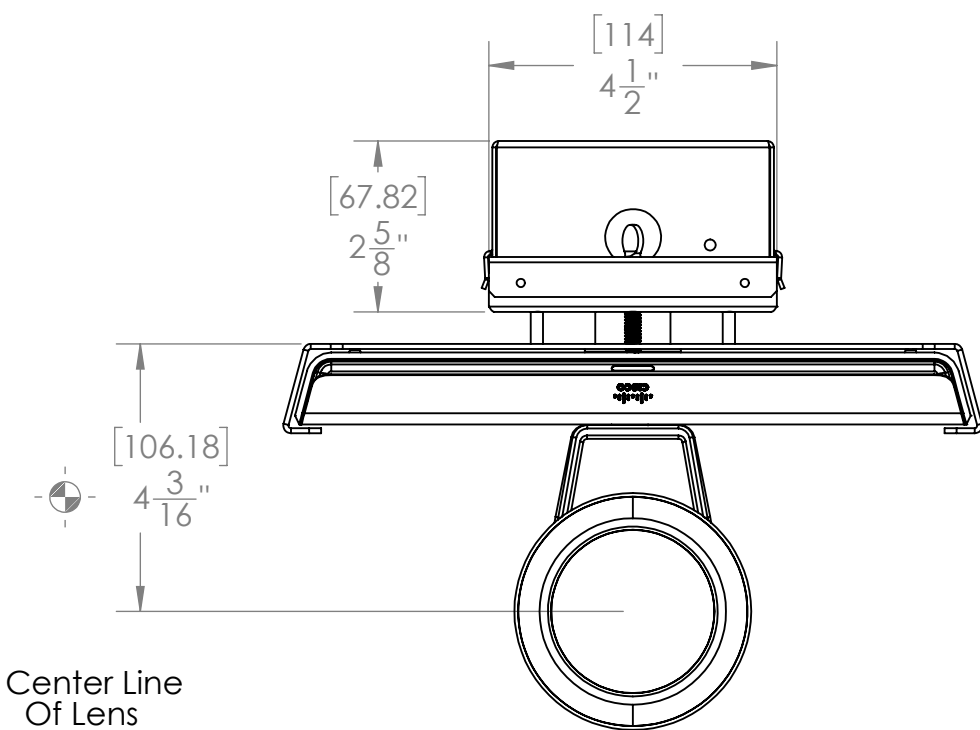
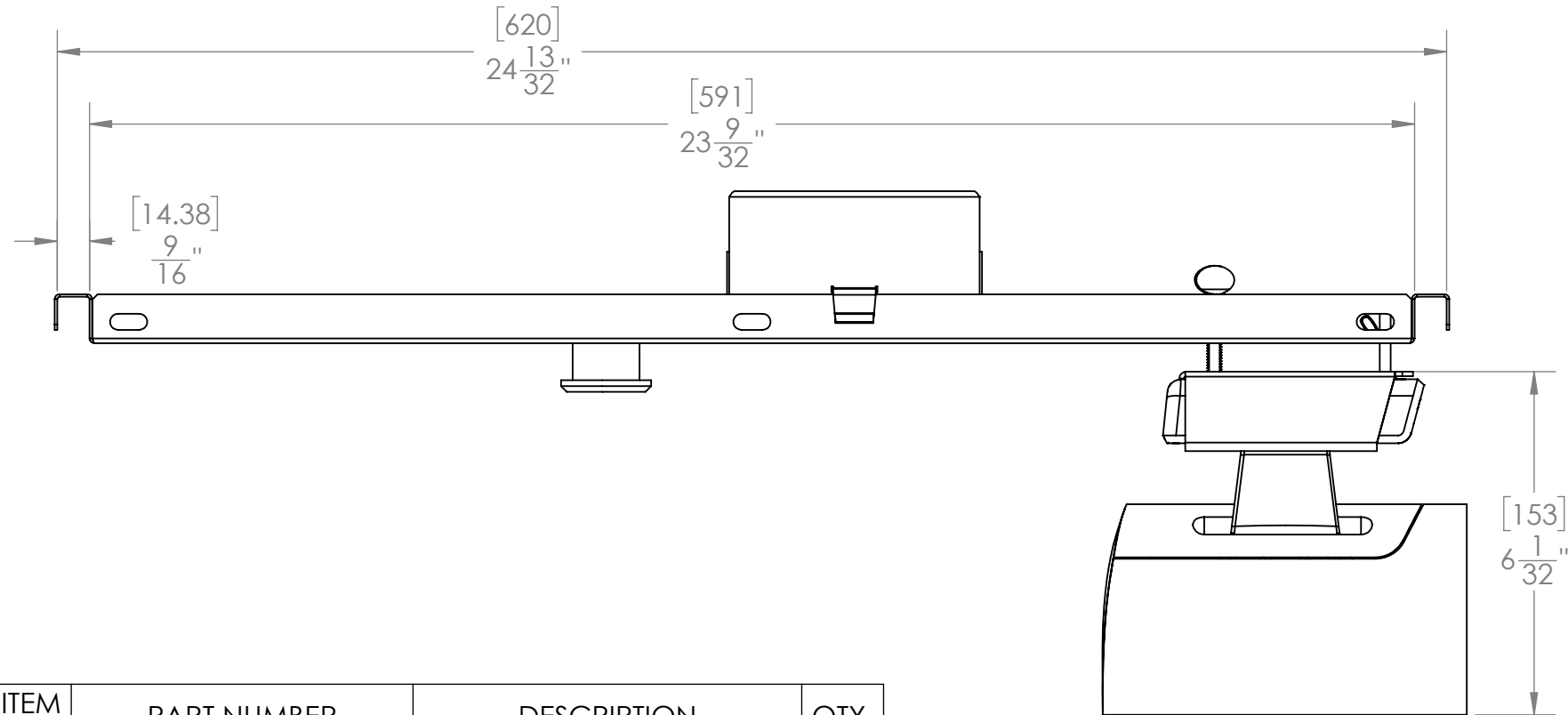
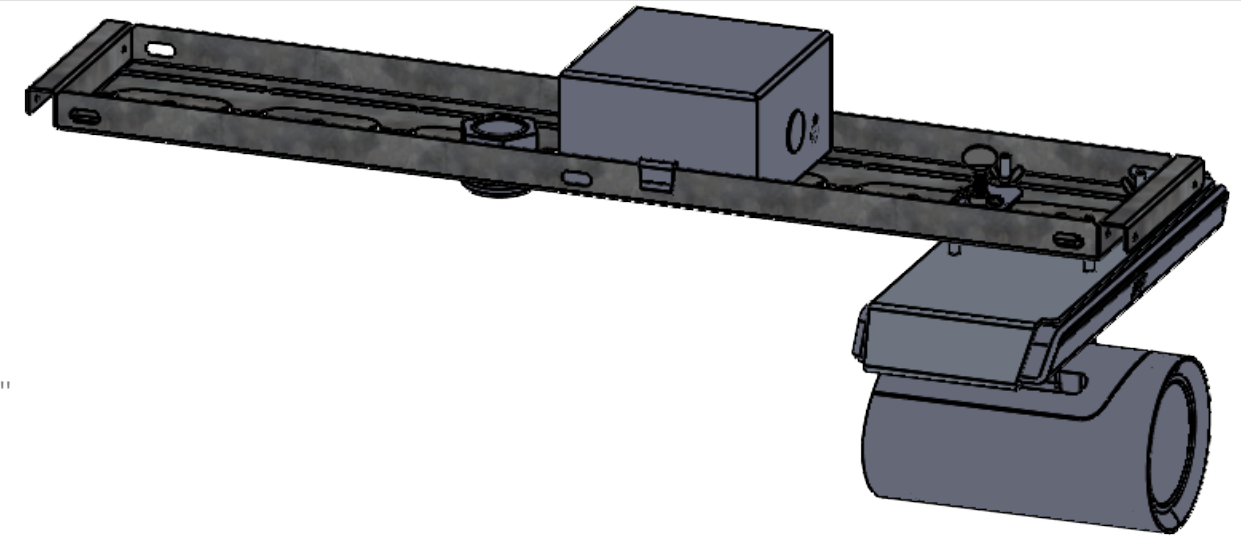


Remove Knock-Outs (2 to 4 of them) to allow Item#2 to be mounted (May be rotated 0°, 90°, 180° or 270°)



Remove one Knock-Out To become Item#4 Also to become the opening for the Ceiling Wire Grommet Connect Cables and cover with JIC Box#8



ITEM NO.	PART NUMBER	DESCRIPTION	QTY.
2	sct021516ctp60mtbse	Mounting Base	1
3	92239A150	Flange Wing Nut, 10-32	4
4	sct021516studbse	Cross bracket	1
5	96966A630	Thumb Screw 1/4"-20x1-1/2"	1
6	99862A110	Wing Nut 1/4"-20	1
7	ENC-CEIL-B001-0_Rev_B	Ceiling Cam Mt Base	1
8	4x4clip_box	Formed 4"x4" JIC Box	1
9	Ceil_Grom1	Ceiling Grommet	1

PROPRIETARY AND CONFIDENTIAL
 THE INFORMATION CONTAINED IN THIS DRAWING IS THE SOLE PROPERTY OF Sound Control Tech. ANY REPRODUCTION IN PART OR AS A WHOLE WITHOUT THE WRITTEN PERMISSION OF Sound Control Tech. IS PROHIBITED.

UNLESS OTHERWISE SPECIFIED:
 DIMENSIONS ARE IN INCHES
 TOLERANCES:
 FRACTIONAL ± 1/32"
 ANGULAR: MACH ± .5 BEND ± 1
 TWO PLACE DECIMAL ± .02
 THREE PLACE DECIMAL ± .010

INTERPRET GEOMETRIC TOLERANCING PER:
 MATERIAL

FINISH

DO NOT SCALE DRAWING

NAME	DATE
G.E.G.	11/21/19
DRAWN	
CHECKED	
ENG APPR.	
MFG APPR.	
Q.A.	
COMMENTS:	

SCT Sound Control Technologies
 22 South Smith Street
 Norwalk, CT 06855
 (203) 854-5701
www.soundcontrol.net

TITLE:
Cisco Precision 60 Ceiling Grid Mount

SIZE B	DWG. NO. sct021516ceiling mtP001	REV
SCALE: 1:3	WEIGHT:	SHEET 1 OF 1