



BEFORE YOU GET STARTED: Please make sure that you have all parts indicated before you begin mount assembly, and that any in-wall boxes or trim rings are mounted in accordance with commercial construction best practices.

Please Note: Steps 1-5 (illustrated below) are universal for our entire series of RCM™ mounts. The RCM™ mount becomes camera specific in Steps 6-7 with the camera shelf chosen to match the base of your camera.

PART LIST

- No.1 [1] Wall Mount Plate
- No.2 [1] 2-Gang Electrical Box or Trim Ring (**not Included**)
- No.3 [4] 6-32 x 3/4" black Oval Head Screw
- No.4 [1] Mounting Bracket
- No.5 [1] Camera-End Module (**Included only in SCT Project Packs**)
- No.6 [2] 6-32 x 1/4" Pan Head Screw
- No.7 [1] Cover
- No.8 [4] 8-32 Cap Nut
- No.9 [1] Camera Shelf (**see reverse to identify by camera model**)
- No.10 Thumb Screw(s) (**see reverse for style/quantity**)

ASSEMBLY INSTRUCTIONS

Step 1: Secure the Wall Mount Plate (No. 1) to a standard 2-Gang Electrical Box or Trim Ring (No. 2) using the [4] black 6-32 x 3/4" Oval Head Screws (No. 3).

Step 2: Attach the Mounting Bracket (No. 4) to the Camera-End Module (No. 5) using the [2] 6-32 x 1/4" Pan Head Screws (No. 6).

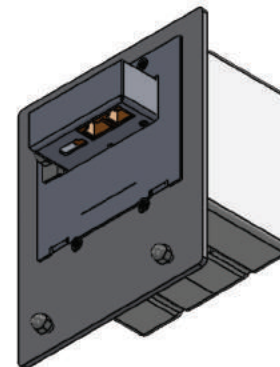
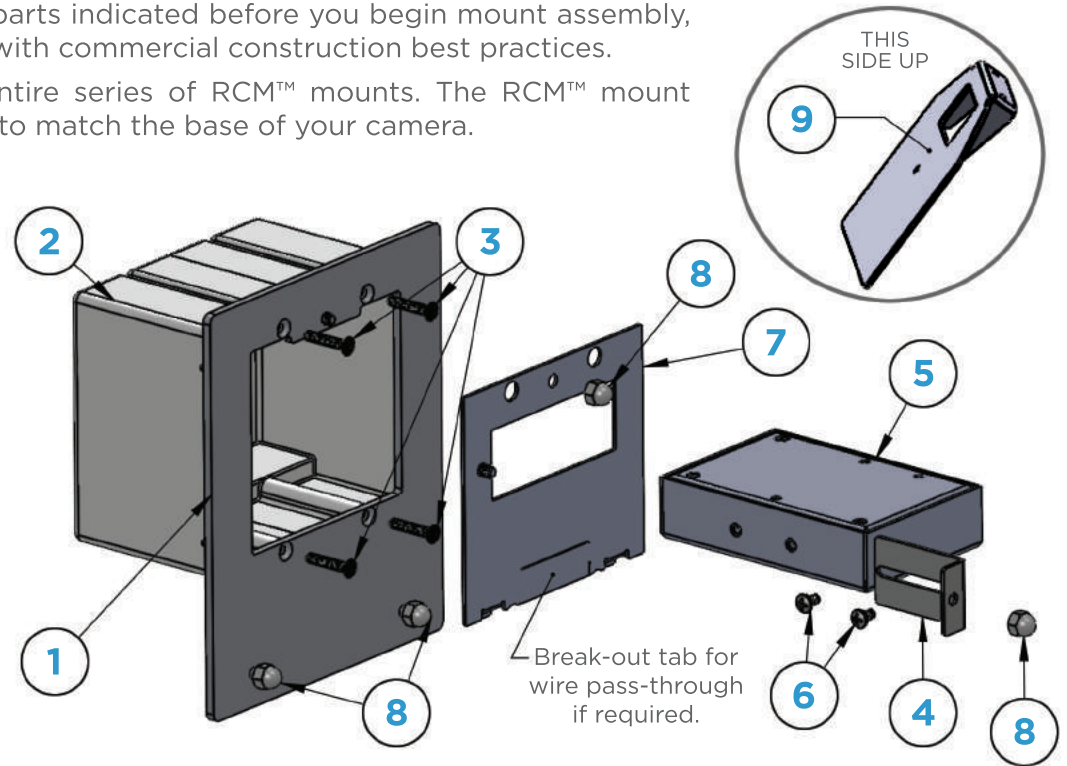
Step 3: Secure the Cover (No. 7) to the **Step 2** assembly using [1] 8-32 Cap Nut (No. 8).

Step 4: Connect your SCTLINK™ CAT5e/CAT6 cable (**integrator provided**) to the Camera-End Module (No. 5).

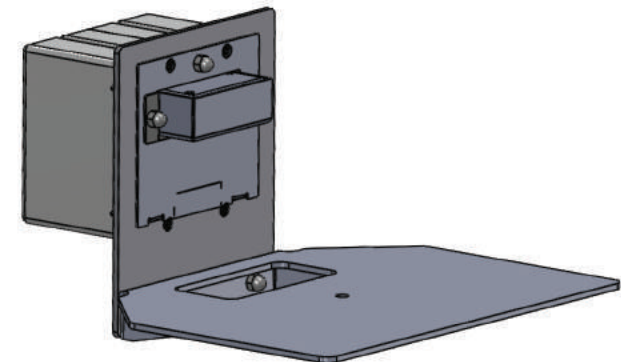
Step 5: Hook the bottom of the Cover (No. 7) to the **Step 1** assembly and fasten using [1] 8-32 Cap Nut (No. 8).

Step 6: Attach the Camera Shelf (No. 9) to the two studs at the bottom of the Wall Mount Plate (No. 1) using [2] 8-32 Cap Nuts (No. 8). **Please Note:** Flange side must face down for support.

Step 7: Secure your camera to the Camera Shelf (No. 9) using the provided Thumb Screw(s); Please see reverse for style/quantity depending on your camera shelf model (No. 10).



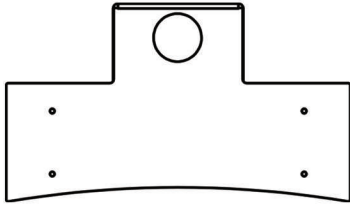
Assembled **Steps 1-5**
Three-Quarter View



Complete Assembly
Shown with **RCM-CP6™** Shelf



RCM-EE1™



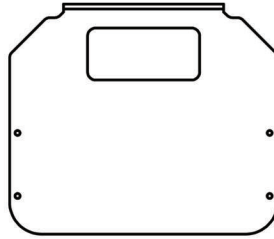
Compatible Camera Models

Poly EagleEye I
Poly EagleEye II
Poly EagleEye III

Hardware

[4] M3x8 Thumb Screws

RCM-EE4™



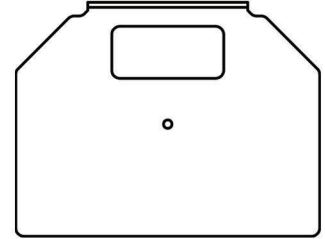
Compatible Camera Models

Poly EagleEye IV

Hardware

[4] M3x8 Thumb Screws

RCM-CP6™



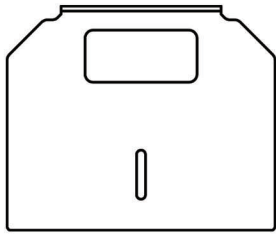
Compatible Camera Models

Cisco Precision 60

Hardware

[1] 1/4-20 Thumb Screw

RCM-PH1™



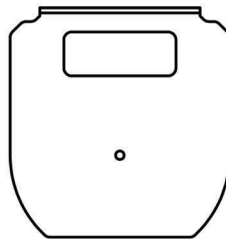
Compatible Camera Models

Tandberg/Cisco PHD 12x
Cisco 4xS1 & 4xS2 (Precision40)

Hardware

[1] 1/4-20 Thumb Screw

RCM-L10™



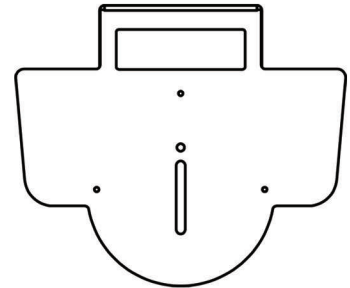
Compatible Camera Models

LifeSize 10X
LifeSize Camera S

Hardware

[1] 1/4-20 Thumb Screw

RCM-HD1™



Compatible Camera Models

Sony EVI-HD1

Hardware

[1] 1/4-20 Thumb Screw

RCM-SD2™



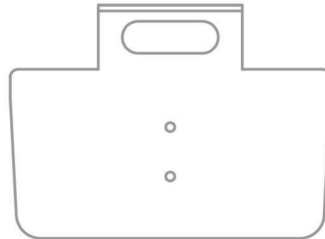
Compatible Camera Models

Sony EVI-H100V

Hardware

[1] 1/4-20 Thumb Screw

RCM-SD3™



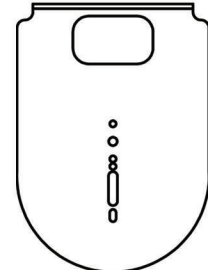
Compatible Camera Models

Sony EVI-HD3
Sony EVI-HD7

Hardware

[1] 1/4-20 Thumb Screw

RCM-SR1™



Compatible Camera Models

Sony SRG-120H, Sony SRG-300H
& Sony SRG-360HE

Panasonic AW-HE40, Panasonic
AW-HE60 & Panasonic AW-UE70

Hardware

[1] 1/4-20 Thumb Screw