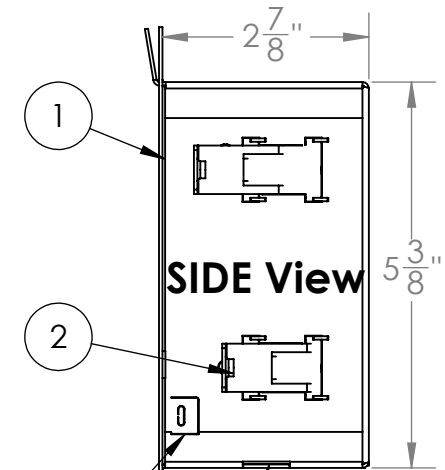
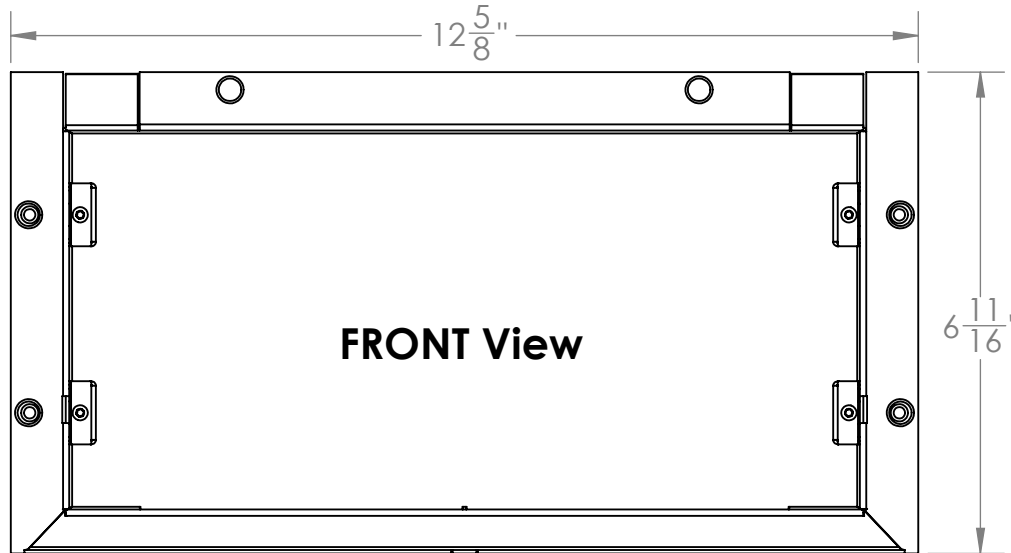
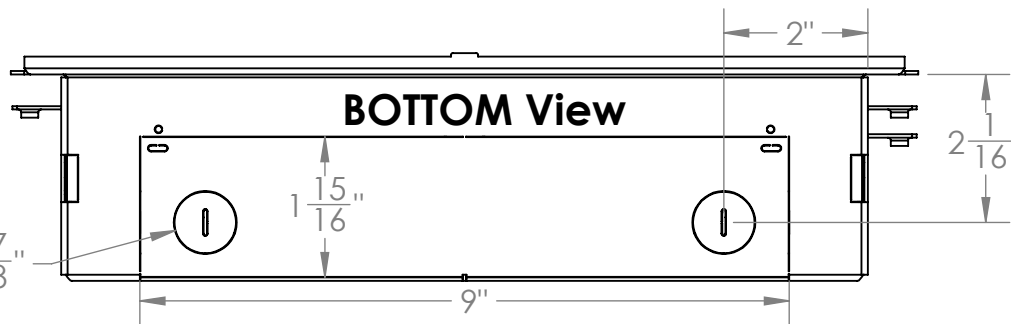


Knock-outs
Removed only
as Needed



Shelf Locking tab
KO for Shelf Locating
Cut-out



ITEM NO.	PART NUMBER	DESCRIPTION	QTY.
1	804-1147	Cubby-Back Box Version 2	1
2	800-1107	Wall-Clamp Assy.	4

SCT Sound Control Technologies
 22 South Smith Street
 Norwalk, CT 06855
 (203) 854-5701
www.soundcontrol.net

TITLE:
**Cubby EKO & KO
 Dimensions**

PROPRIETARY AND CONFIDENTIAL
 THE INFORMATION CONTAINED IN THIS
 DRAWING IS THE SOLE PROPERTY OF
 Sound Control Tech. ANY REPRODUCTION
 IN PART OR AS A WHOLE
 WITHOUT THE WRITTEN PERMISSION OF
 Sound Control Tech. IS PROHIBITED.

SIZE A	DWG. NO. Cubby01EE-EKO	REV REV
G.E.G.	SHEET 1 OF 1	