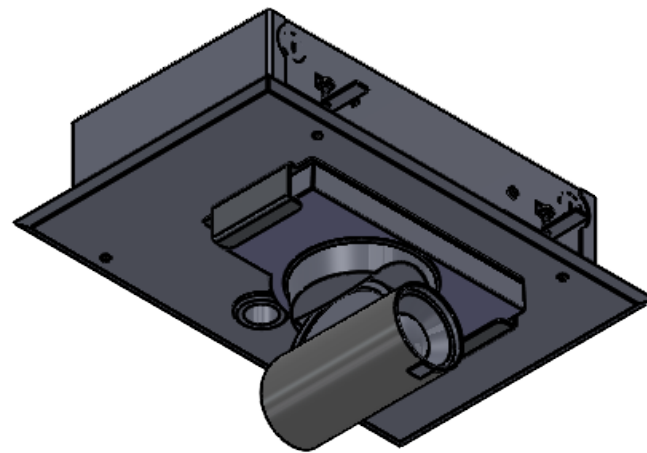
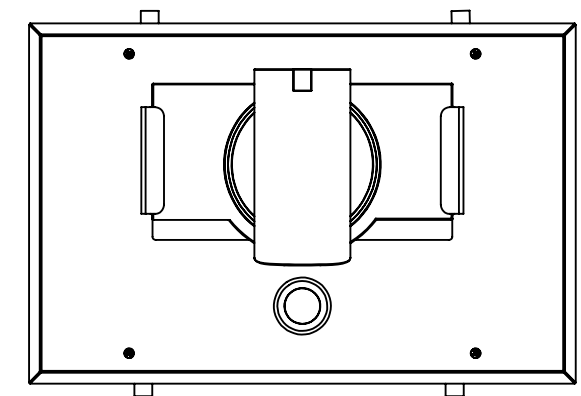
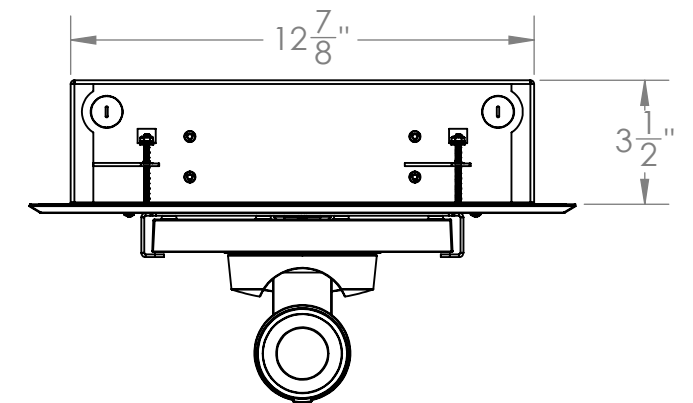
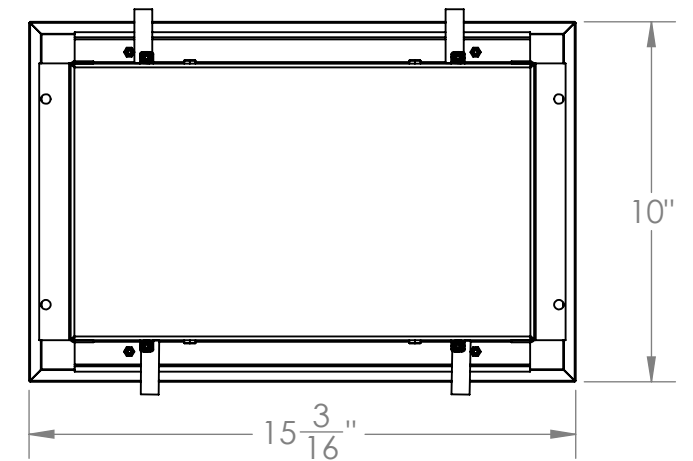
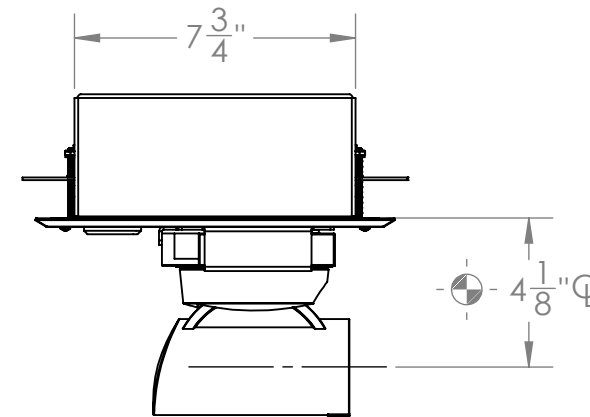
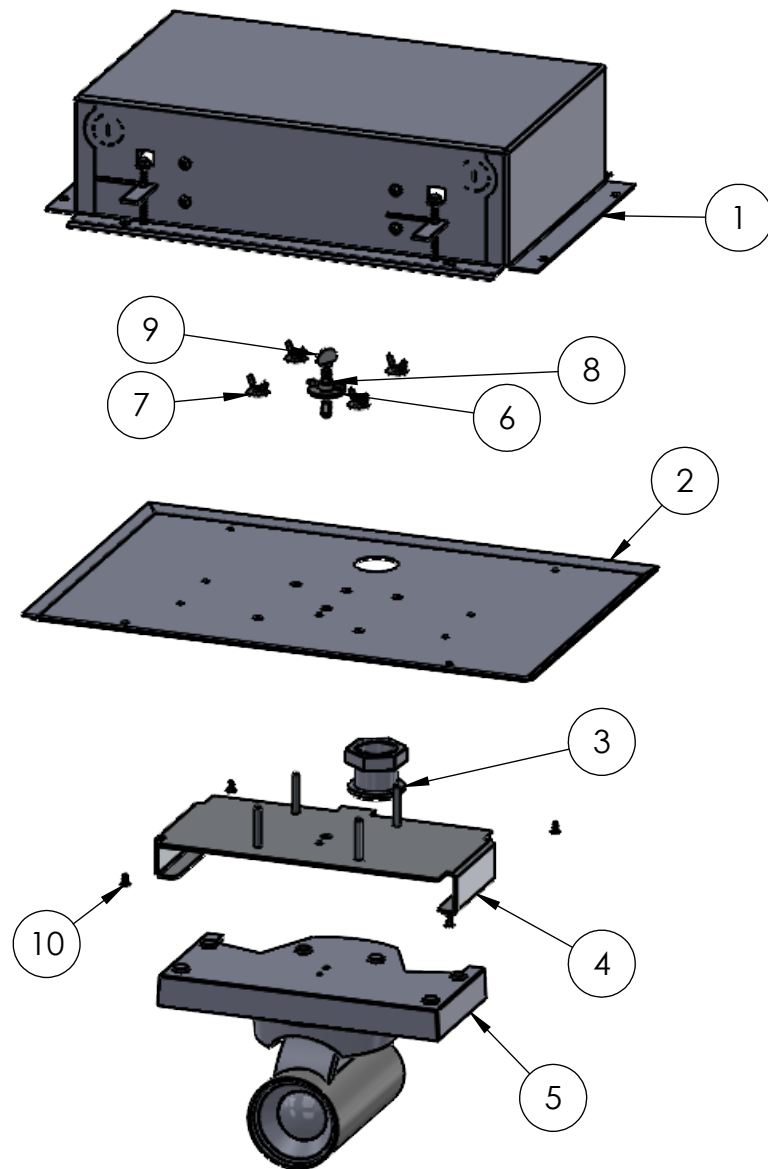


ITEM NO.	DESCRIPTION	QTY.
1	Ceiling BOX	1
2	CEILING SHEETROCK COVER	1
3	Ceiling Grommet	1
4	Mt. Plt.-Cisco Precision HD Cam.	1
5	Cisco-PH1 Camera	1
6	1/4" Flat Washer	1
7	Flange Wing Nut, 10-32	4
8	Wing Nut 1/4"-20	1
9	Thumb Screw 1/4"-20x1-1/2"	1
10	PHPMS 6-32 X 1/4"	4



- 1- Install Ceiling Box
- 2- Install Item #3 into Item #2
- 3- Mount Item #4 to Item #2 using (4) Item #8
- 4- Place Camera Item #5 into Item #4 and fasten in place using items #6,7,9
- 5- Feed Wiring thru Item #3
- 6- Mount Assembly to Box using (4) Item #10



SCT Sound Control Technologies
 22 South Smith Street
 Norwalk, CT 06855
 (203) 854-5701
www.soundcontrol.net

TITLE:
Cisco PH1 CEILING Mount Sheetrock

PROPRIETARY AND CONFIDENTIAL
 THE INFORMATION CONTAINED IN THIS DRAWING IS THE SOLE PROPERTY OF Sound Control Tech. ANY REPRODUCTION IN PART OR AS A WHOLE WITHOUT THE WRITTEN PERMISSION OF Sound Control Tech. IS PROHIBITED.

SIZE B	DWG. NO. ECN-1068-EE01-CSR-CPHD12XWeb	REV
NAME G.E.G.	DATE 6/4/2020	SHEET 1 OF 1