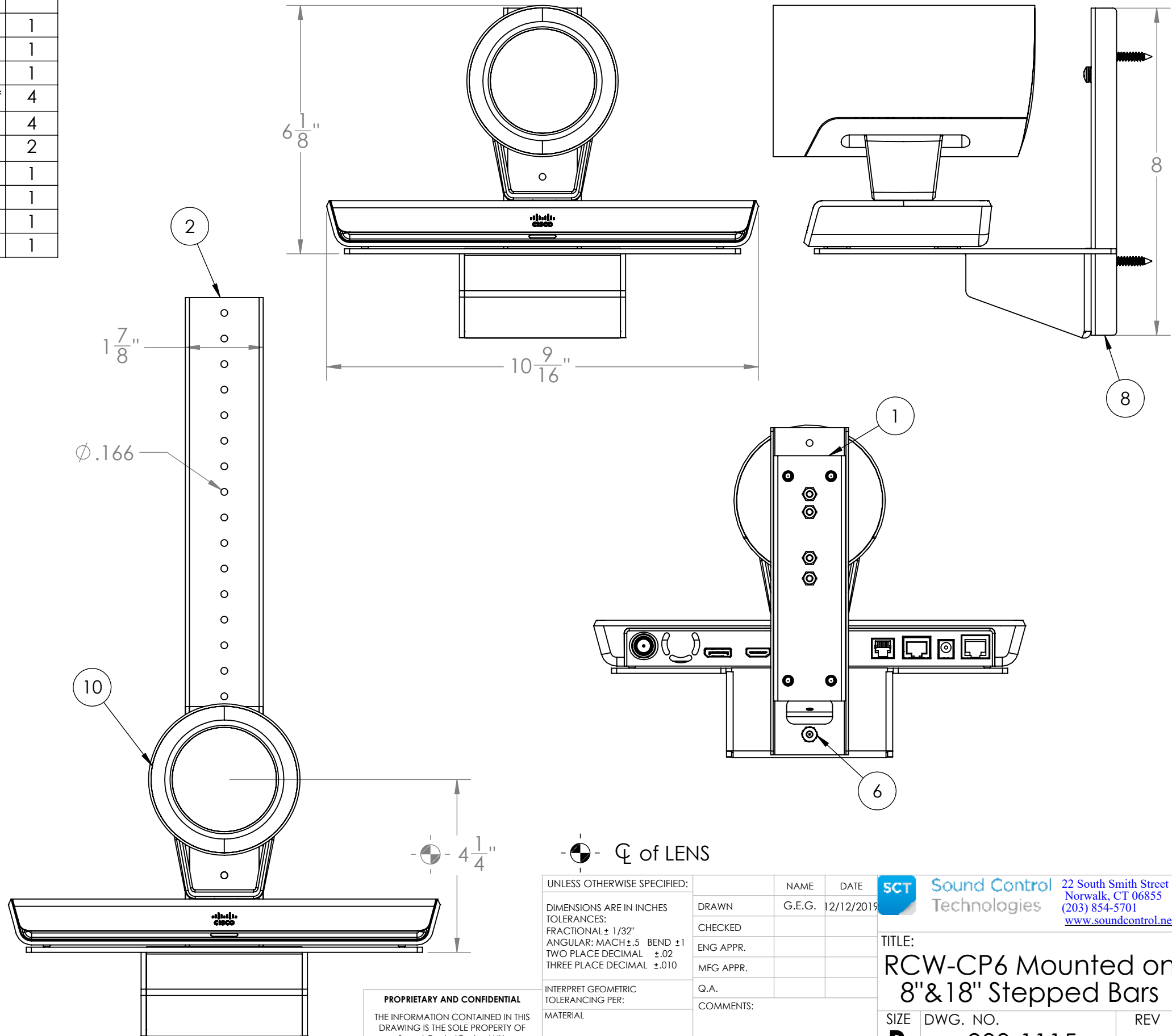
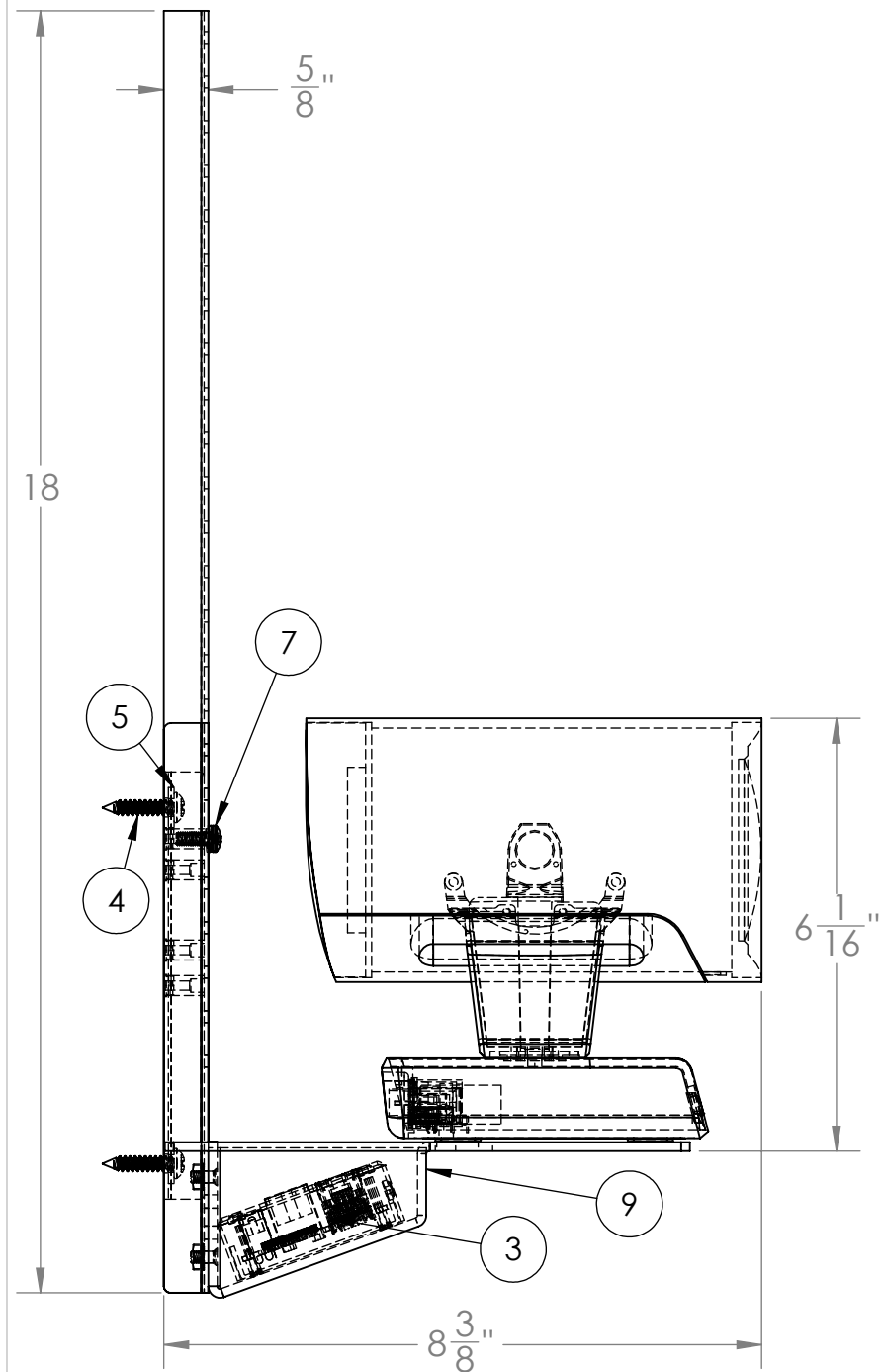


ITEM NO.	DESCRIPTION	QTY.
1	WALL MOUNT CHANNEL	1
2	18" ADJUSTABLE CHANNEL	1
3	RC - CE ASSY.	1
4	#12 Screw x *(By Wall Type)*	4
5	No. 12 Washer	4
6	#8-32 Kepsnut	2
7	PHPMS 10-32x 1/2"	1
8	8" ADJUSTABLE CHANNEL	1
9	Shelf	1
10	Precision 60 Camera	1



PROPRIETARY AND CONFIDENTIAL
 THE INFORMATION CONTAINED IN THIS DRAWING IS THE SOLE PROPERTY OF Sound Control Tech. ANY REPRODUCTION IN PART OR AS A WHOLE WITHOUT THE WRITTEN PERMISSION OF Sound Control Tech. IS PROHIBITED.

UNLESS OTHERWISE SPECIFIED:	
DIMENSIONS ARE IN INCHES	
TOLERANCES:	
FRACTIONAL ± 1/32"	
ANGULAR: MACH ± .5 BEND ± 1	
TWO PLACE DECIMAL ± .02	
THREE PLACE DECIMAL ± .010	
INTERPRET GEOMETRIC TOLERANCING PER:	
MATERIAL	
FINISH	
DO NOT SCALE DRAWING	

NAME	DATE
G.E.G.	12/12/2019
DRAWN	
CHECKED	
ENG APPR.	
MFG APPR.	
Q.A.	
COMMENTS:	

SCT Sound Control Technologies
 22 South Smith Street
 Norwalk, CT 06855
 (203) 854-5701
www.soundcontrol.net

TITLE:
RCW-CP6 Mounted on 8" & 18" Stepped Bars

SIZE	DWG. NO.	REV
B	900-1115	

SCALE: 3:8 WEIGHT: SHEET 1 OF 1