



BEFORE YOU GET STARTED: Please make sure that you have all parts indicated before you begin mount assembly, and that any in-wall boxes are mounted in accordance with commercial construction best practices.

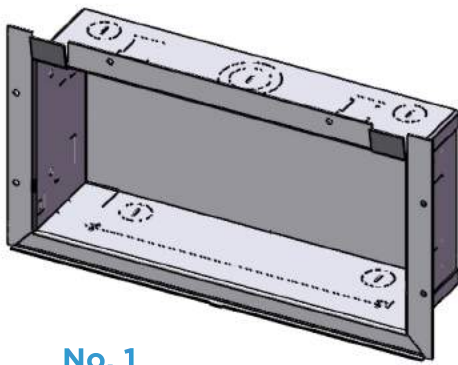
INCLUDED PART LIST

- No. 1** RC-Cubby Back Box (Qty 1)
- No. 2** Wall Clamp Assembly (Qty 4)
- No. 3** Base Plate (Qty 1)
- No. 4** Bottom Split Bezel (Qty 1)
- No. 5** Top Split Bezel (Qty 1)
- No. 6** Camera Plate (Qty 1)
- No. 7** Flat Head Phillips Drill Screws #10-16 x 1 1/2" (Qty 4)
- No. 8** Button Head Torx Machine Screws M4 x 20mm (Qty 4)
- No. 9** Flat Head Torx Machine Screws 4-40 x 1/4" (Qty 2)

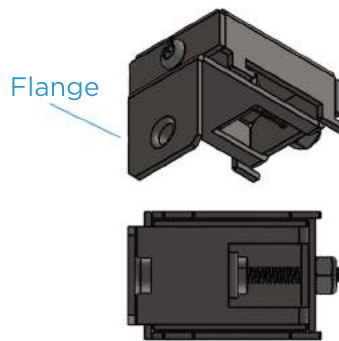
PARTS NOT INCLUDED

- No. 10** RC6-CE™ Camera End Module
(included in RC6-CST-K™ Kit) (Qty 1)
- No. 11** Cisco SpeakerTrack 60 (Qty 1)

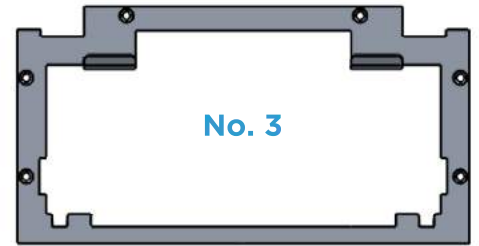
WHAT'S IN THE BOX



No. 1



No. 2
(Shown Retracted)

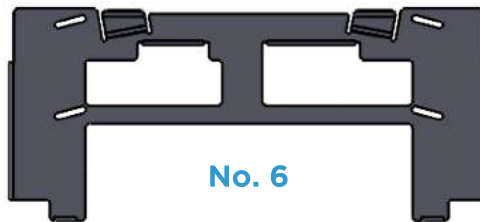


No. 3

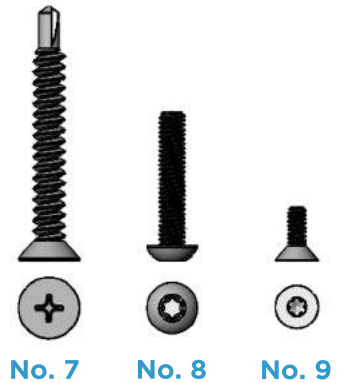


No. 5
(Top Split Bezel)

No. 4
(Bottom Split Bezel)



No. 6



No. 7

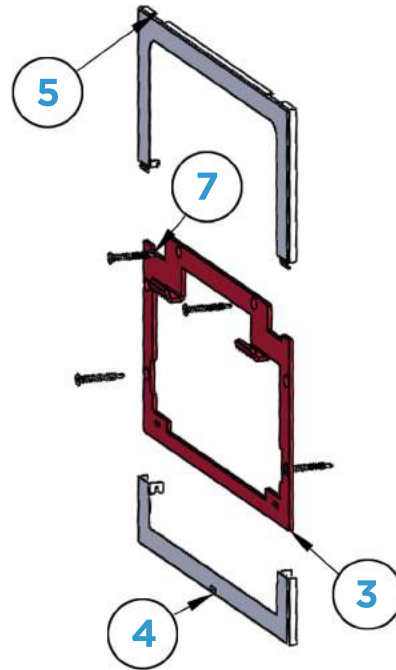
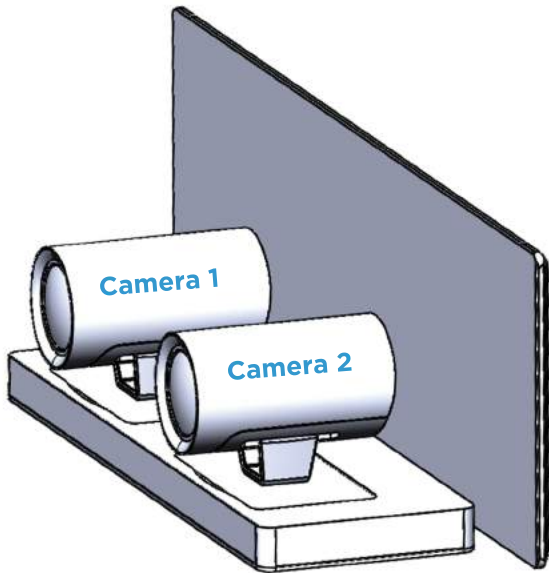
No. 8

No. 9

**One
Person
Install**

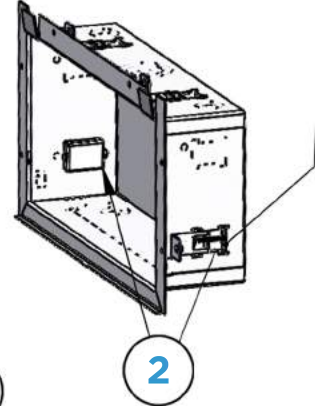


Thank you for your purchase! Sound Control Technologies' new **RC-CUBBY-ST6™** is the world's only custom designed backbox/wall-mount solution for Cisco's SpeakerTrack 60 system. With a simple one-person installation technique, it facilitates deployment and results in an extremely clean look. You won't even know we're there!



Part One Exploded View

Remove Knockouts



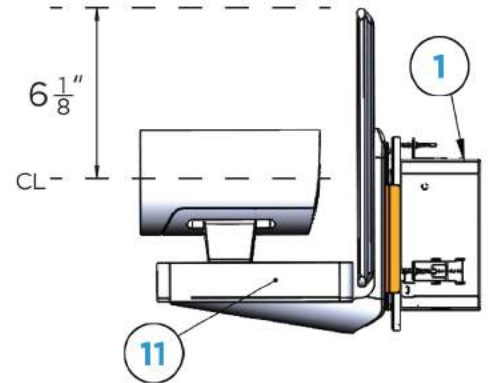
ASSEMBLY INSTRUCTIONS

Part One: Cut the Wall Opening & Prepare the RC-Cubby™ Back Box

Step 1: Choose the desired lens centerline and mark on wall. Make sure there is at least 6 1/8" clearance above the centerline for the Cisco SpeakerTrack 60 grey fabric back plate.

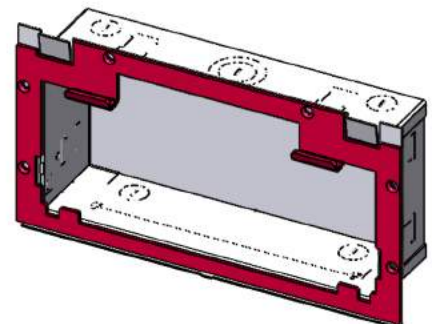
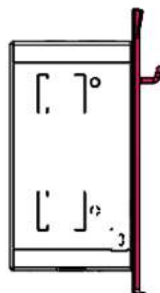
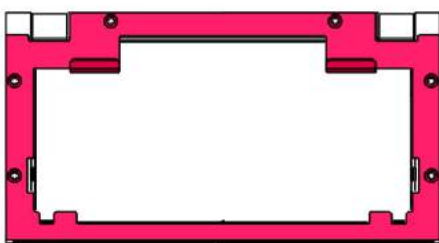
Step 2: Using the SCT [Cut-Out Template Sheet](#), align the centerline mark from Step 1 to the "CL of Cisco SpeakerTrack 60 Lens" line on the template. Make sure the template is level and centered left-right. Tape the template to wall and cut out wall opening as indicated.

Step 3: Locate the knockouts on the RC-Cubby Back Box (No. 1, Qty 1) and remove one wall clamp knockout on each side, plus one cable knock out on top or bottom. Insert the RC-Cubby Back Box (No. 1) into the wall cut-out. If you're using our RC6-CST-K™ Camera Extension Kit, feed the SCTLINK™ cable through the cable knock out. **Please Note:** Only one clamp on each side is needed, but the two additional provided clamps can be used for extra support if desired.



Step 4: Check that the Wall Clamp (No. 2) flange is in the retracted position. Place the flange through the knockout hole and tighten in place, turning clockwise; *Do not over tighten!*

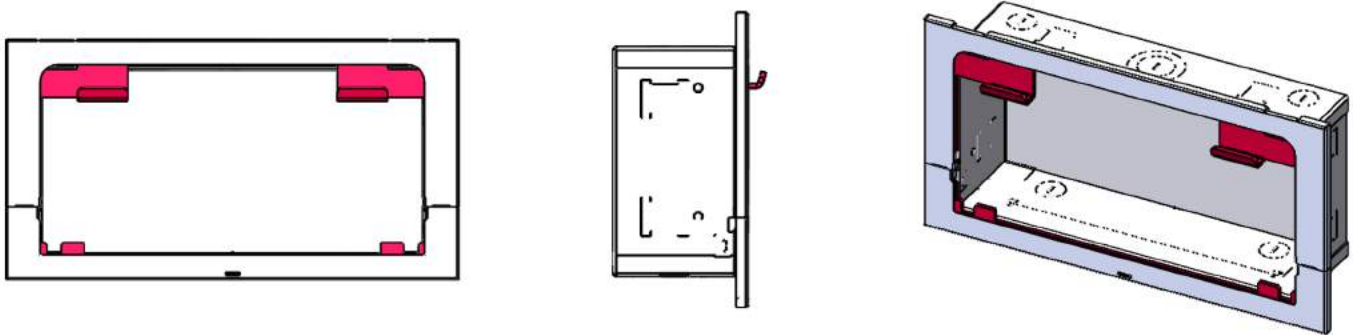
Step 5: Place the Base Plate (No. 3, Qty 1) in position against the RC-Cubby Back Box (No. 1) lining up all 6 holes. Install using the Flat Head Phillips Drill Screws (No. 7, Qty 4). **Please Note:** Two screws must be installed at the wall clamp locations, while the other two screws can go in any of the remaining four holes.





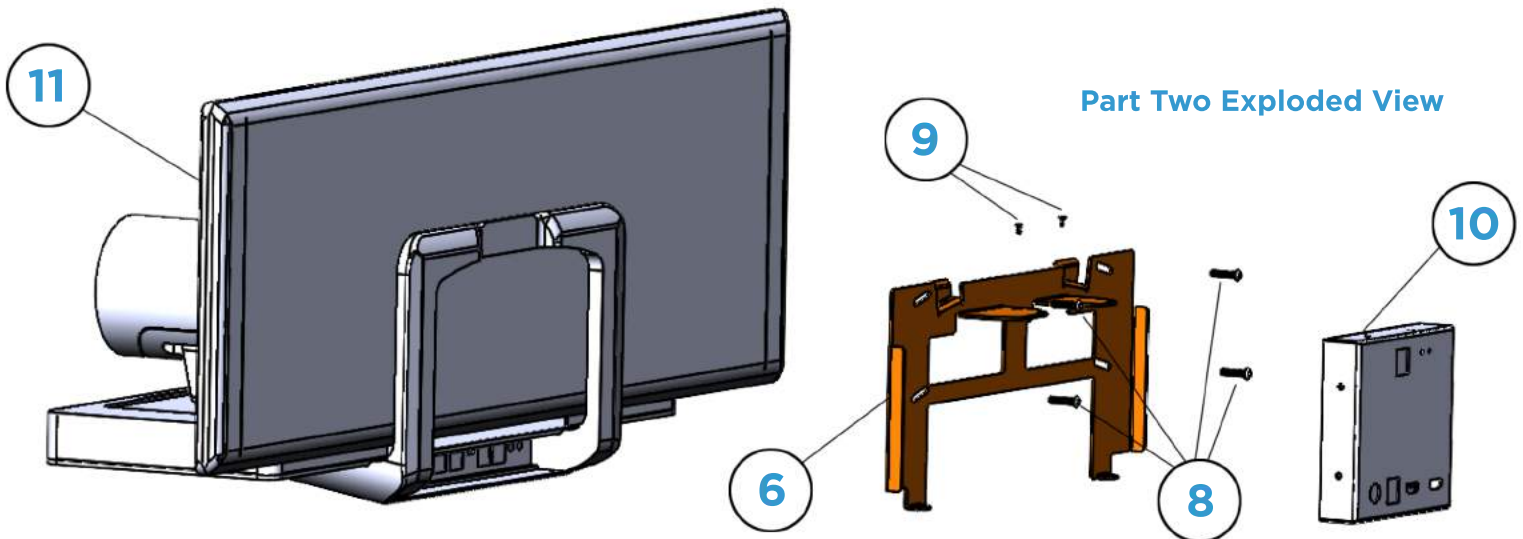
Step 6: Install the Bottom Split Bezel (No. 4, Qty 1) by clipping it into slots on the RC-Cubby Back Box (No. 1) and pushing down completely. Place the Top Split Bezel (No. 5, Qty 1) into position. Push down to secure.

Part One Assembled



ASSEMBLY INSTRUCTIONS

Part Two: Prepare the Camera Plate and RC6-CE™ Camera End Module



Step 7: Looking at the back of your Cisco SpeakerTrack 60 (No. 11, Qty 1), align Cisco's grey fabric microphone plate against the SpeakerTrack 60's vertical rear bracket; *Do not use Cisco's provided Torx screws for this step.*

Align the Camera Plate (No. 6, Qty 1) by hooking both tabs under the vertical rear bracket, and install using the Button Head Torx Machine Screws (No. 8, Qty 4) through the obround slots.

Please Note: The Camera Plate (No. 6) can be adjusted here for optimal leveling.

If you're not integrating our RC6-CST-K™ Camera Extension Kit with this mount, please skip Steps 8 & 9 and proceed to Step 10. If so, please refer to your RC6-CST-K™ Application Guide for complete installation instructions.

Step 8: Fasten the RC6-CE™ (No. 10, Qty 1) on Camera Plate using the Flat Head Torx Machine Screws (No. 9, Qty 2).

Step 9: Connect cabling between RC6-CE™ (No. 10) and Cisco SpeakerTrack 60 (No. 11).

9a.: Connect the RCC-C001-0.3M video cable between the RC6-CE™'s HDMI connector labeled "HDMI INPUT 1" and the first camera's HDMI connector.

9b.: Connect the RCC-C001-0.5M video cable between the RC6-CE's HDMI connector labeled "HDMI INPUT 2" and the second camera's HDMI connector.



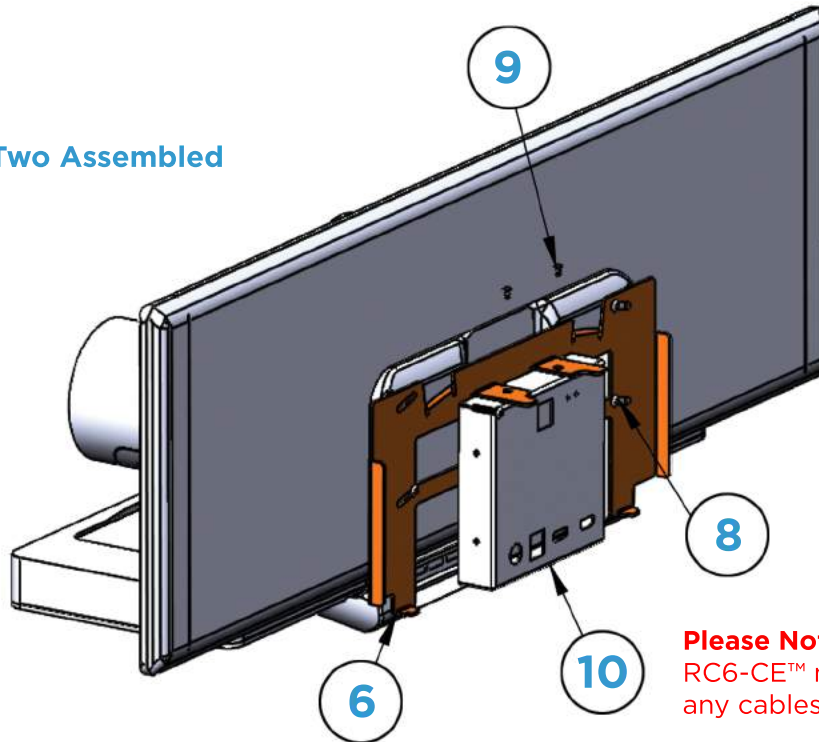
Step 9 Continued:

9c.: Connect the RCC-C002-0.4M control cable between the RC6-CE™'s RJ45 connector labeled "Ethernet" and the SpeakerTrack 60's rightmost RJ45 connector.

9d.: Connect the PPC-010-1.0M power cable between the RC6-CE™'s power output labeled "+12VDC Output" and the SpeakerTrack 60's power input.

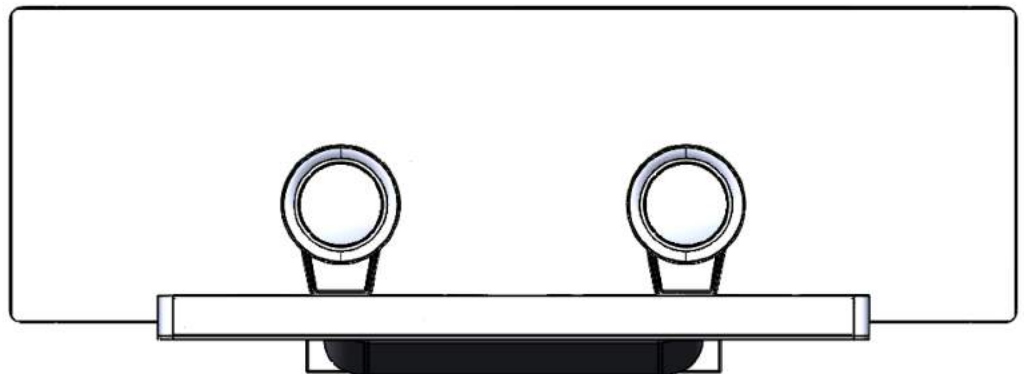
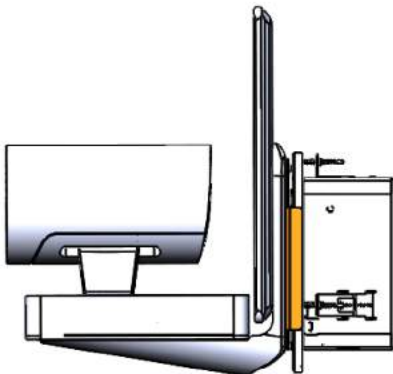
9e.: Connect the SCTLINK™ cable from RC-Cubby Back Box (No. 1) to the RC6-CE™'s SCTLINK™ connector.

Part Two Assembled



Please Note: The underside of the RC6-CE™ module must be clear of any cables prior to **Step 10**.

Step 10: Hang **Part Two** Camera Assembly on **Part One** Wall Box Assembly.



Great job, you're finished!



Thank you for your support!