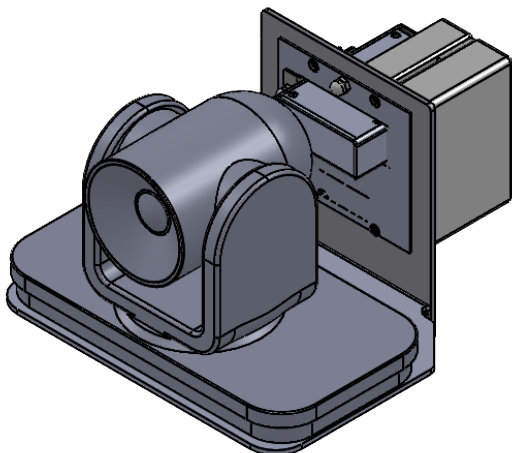
  $\text{C}$  of Lens



ITEM NO.	PART NUMBER	DESCRIPTION	QTY.
1	RCM-assy	Wall Mount	1
2	EE-IV	POLYCOM EE-IV	1
3	801-1118	Polycom Eagle Eye IV Camera Plate	1
10	92005A118	PHPMS M3x8	4

UNLESS OTHERWISE SPECIFIED:

DIMENSIONS ARE IN INCHES  
 TOLERANCES:  
 FRACTIONAL  $\pm 1/32"$   
 ANGULAR: MACH  $\pm .25^\circ$  BEND  $\pm .5^\circ$   
 TWO PLACE DECIMAL  $\pm .02$   
 THREE PLACE DECIMAL  $\pm .010$   
 HOLE SIZE  $+ .003 / - .000$

INTERPRET GEOMETRIC TOLERANCING PER:

MATERIAL

FINISH

DO NOT SCALE DRAWING

NAME DATE

DRAWN G.E.G. 3/22/2021

CHECKED

ENG APPR.

MFG APPR.

Q.A.

COMMENTS:

Shown with  
New Wall Mount  
Assembly

 22 South Smith Street  
Norwalk, CT 06855  
(203) 854-5701  
[www.soundcontrol.net](http://www.soundcontrol.net)

TITLE:

RCM-EE4 Wall Mount  
[Polycom EagleEye IV]

SIZE	DWG. NO.	REV
<b>A</b>	RCM-EE4	<b>A</b>

SCALE: 1:4 WEIGHT: SHEET 1 OF 1

**PROPRIETARY AND CONFIDENTIAL**

THE INFORMATION CONTAINED IN THIS DRAWING IS THE SOLE PROPERTY OF Sound Control Tech. ANY REPRODUCTION IN PART OR AS A WHOLE WITHOUT THE WRITTEN PERMISSION OF Sound Control Tech IS PROHIBITED.