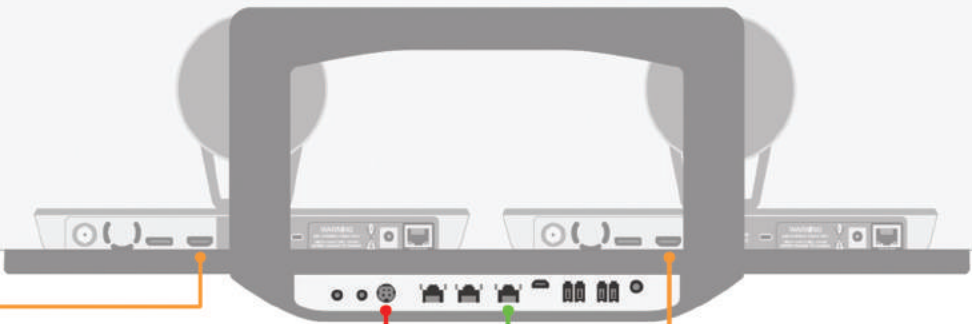


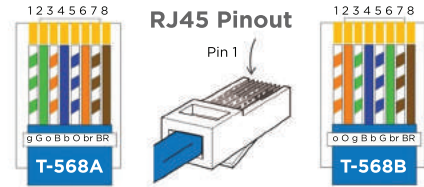
Important: Due to the power demands of Cisco's SpeakerTrack 60, it is best practice to utilize SCT's provided **RC-RKM™** rack shelf to facilitate ventilation.

Cisco SpeakerTrack 60



SCTLink™ Cable Specs

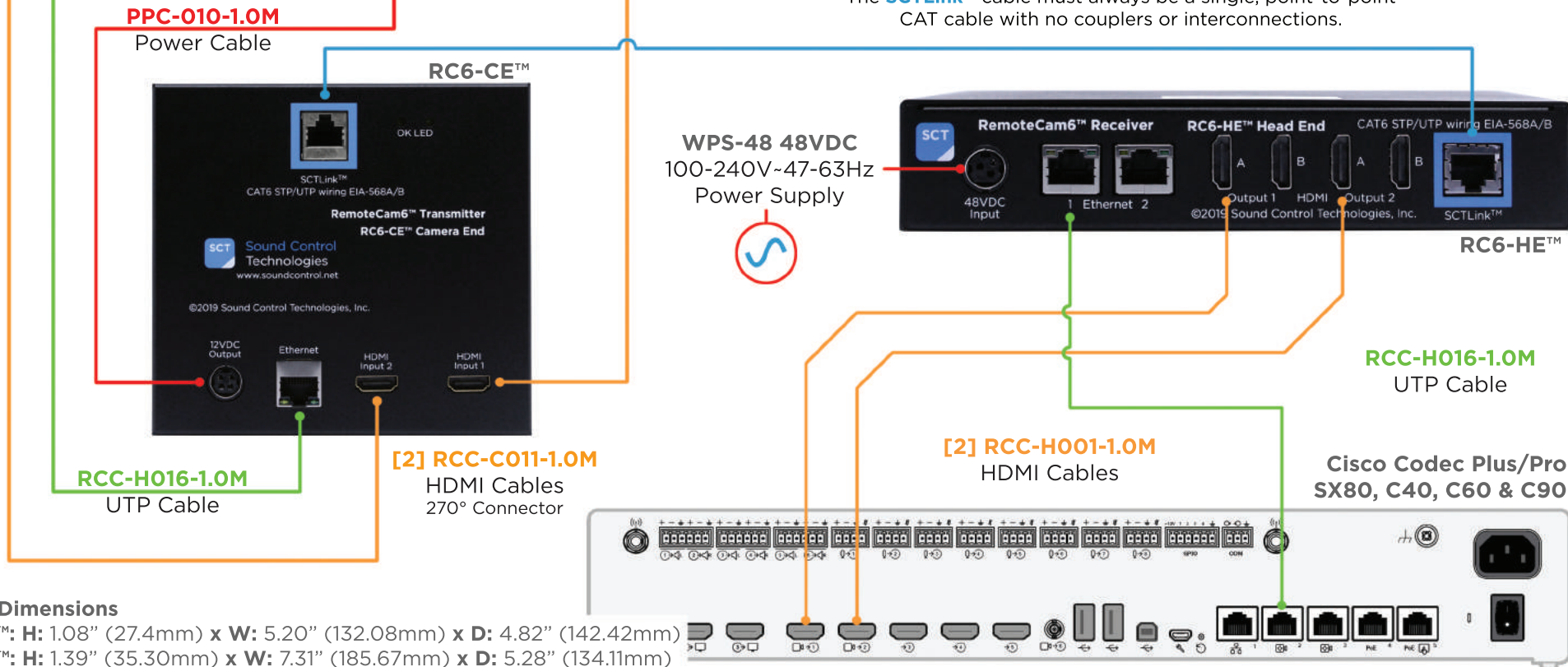
Integrator-Supplied CAT6 STP/UTP Cable
EIA568A or EIA568B (10m-100m min/max Length)



SCTLink™ Cable

Power, Control & Dual Video

The **SCTLink™** cable must always be a single, point-to-point CAT cable with no couplers or interconnections.



Module Dimensions

RC6-CE™: H: 1.08" (27.4mm) x W: 5.20" (132.08mm) x D: 4.82" (142.42mm)
RC6-HE™: H: 1.39" (35.30mm) x W: 7.31" (185.67mm) x D: 5.28" (134.11mm)



TEST YOUR SCTLINK™ CABLE

We highly recommend using an Ethernet Network Tester/Analyzer alongside our provided PowerSniffer to confirm your SCTLINK™ wiring. Our PowerSniffer only tests conductor continuity and will not identify data integrity or capacity issues.

1. Test and verify your CAT6 STP or FUTP SCTLINK™ cable for EIA568A or EIA568B. The SCTLINK™ cable must be between 10m (minimum) and 100m (maximum) length.
2. Connect one end of the SCTLINK™ cable to the “SCTLINK™” connection on the Head End module.
3. Connect the other end of your SCTLINK™ cable to the provided PowerSniffer.
4. Connect the WPS-48 power supply to the Head End module.
5. Connect the WPS-48 power supply to AC mains.
6. If the SCTLINK™ cable is properly terminated, it will display eight GREEN LEDs. If you get any other result, **stop and re-terminate cable**.
7. Once your SCTLINK™ cable has been tested, please disconnect the WPS-48 power supply from the RC6-HE module, and the PowerSniffer from the SCTLINK™ cable, before proceeding to install.

INSTALL THE EXTENSION KIT

Before integrating your RC6-CST™ kit, please ensure your Cisco SpeakerTrack base is connected to your two Cisco Precision 60 cameras (Power and Ethernet connections) via Cisco’s instructions.

Connect the camera-end cables:

1. Connect the first RCC-C011-1.0M video cable between the RC6-CE’s HDMI connector labeled “HDMI INPUT 1” and the first camera’s HDMI connector. The 270° HDMI end will connect to the RC6-CE.
2. Connect the second RCC-C011-1.0M video cable between the RC6-CE’s HDMI connector labeled “HDMI INPUT 2” and the second camera’s HDMI connector. The 270° HDMI end will connect to the RC6-CE.
3. Connect the RCC-H016-1.0M control cable between the RC6-CE’s RJ45 connector labeled “Ethernet” and the SpeakerTrack’s rightmost RJ45 connector.
4. Connect the PPC-010-1.0M power cable between the RC6-CE’s power output labeled “+12VDC Output” and the SpeakerTrack’s power input.

Connect the codec-end cables:

5. Connect the second RCC-H016-1.0M cable between the Cisco supported codec’s RJ45 control connector and the RC6-HE’s RJ45 connector labeled ‘Ethernet 1’.
6. Connect the first RCC-H001-1.0M cable between the codec’s HDMI connector and one of the two HDMI outputs labeled “HDMI OUT 1”.
7. Connect the second RCC-H001-1.0M cable between the codec’s second HDMI connector and one of the two RC6-HE’s HDMI connectors labeled “HDMI OUT 2”.
8. Connect one end of your SCTLINK™ cable to the RC6-HE module’s “SCTLINK™” port. Connect the other end to the RC6-CE module’s “SCTLINK™” port.
9. Connect the WPS-48 Power Supply to the “48VDC Input” jack on the RC6-HE Module.

• ALLOW UP TO TWO MINUTES FOR THE SPEAKERTRACK SYSTEM TO INITIALIZE •

Installation Status - Refer to our modules’ LEDs for installation status.

For assistance troubleshooting INACTIVE LED statuses, please contact Tech Support at 203-854-5701.

MODULE	LED LABEL	ACTIVE STATUS
RC6-CE	OK LED	Blinking Green (-1 second interval)
RC6-HE	OK LED	Blinking Green (-1 second interval)
RC6-HE	LINK LED	Solid Blue
RC6-HE	HDCP LED	Blinking Green (-0.5 second interval)

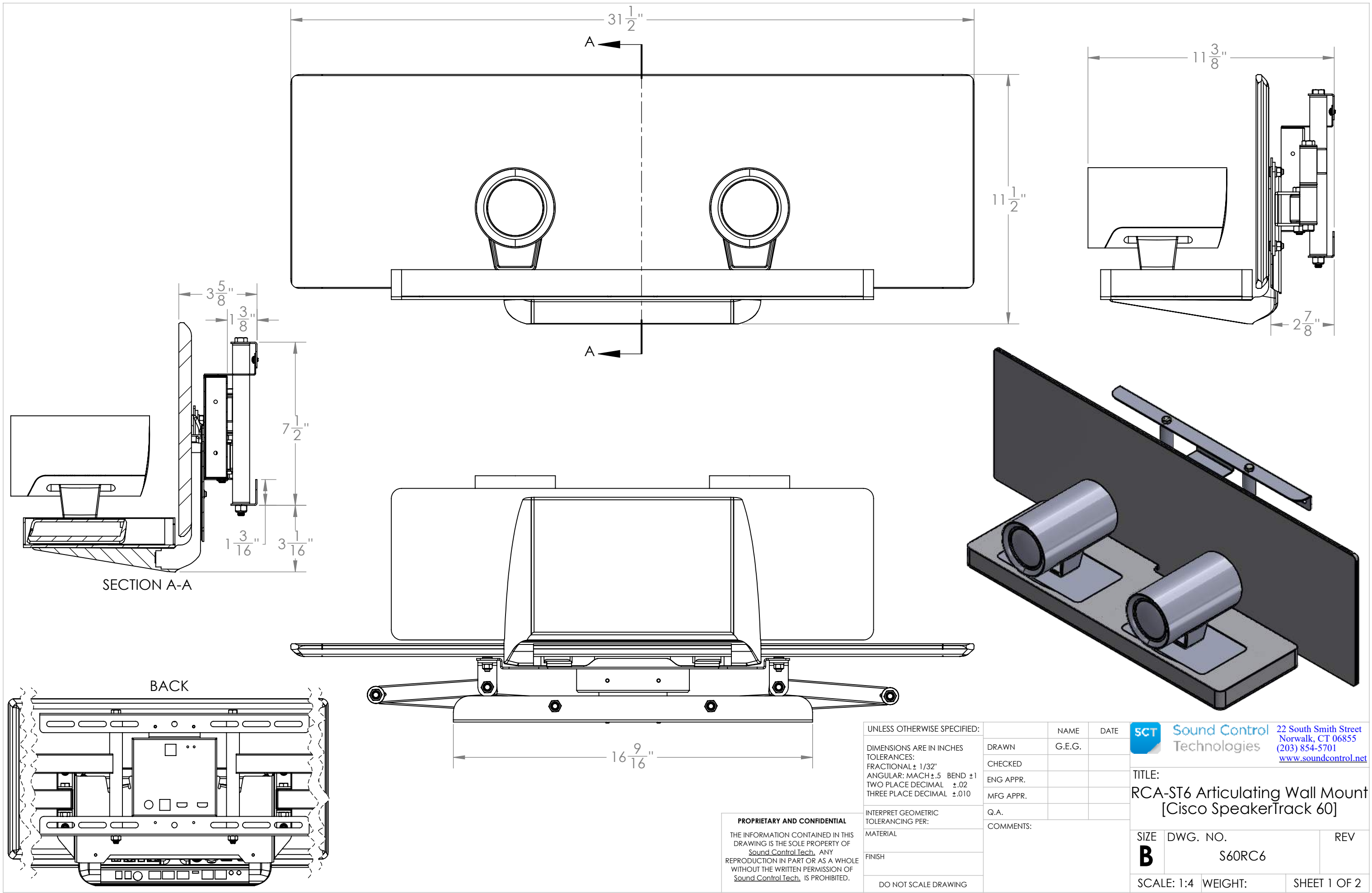
Cable Table - Part numbers, descriptions and functions of all SCT cables provided.

The RC6-CST™ kit includes [1] RC-RKM™ Rack Shelf.

The RC6-CST-KA™ kit includes [1] RC-RKM™ Rack Shelf + [1] RCA-ST6™ Articulating Camera Mount.

CABLE	DESCRIPTION	FUNCTION
RCC-C011-1.0M (x2)	270° HDMI Cable	Video connection between camera pair and RC6-CE.
PPC-010-1.0M	Power Cable	Supplies power from RC6-CE to SpeakerTrack base.
RCC-H001-1.0M (x2)	HDMI Cables	Dual-video connection between RC6-HE and codec.
RCC-H016-1.0M (x2)	RJ45 to RJ45	Control connection between RC6-HE and codec. Control connection between SpeakerTrack and RC6-CE.

Power Supply Specifications (AC-Mains Side): Input Voltage: 100VAC to 240VAC 47Hz to 63Hz. Efficiency: 85% minimum. Turn-on Surge: Less than 60 amperes for a duration less than 1mS. Power Factor: 0.9 minimum (where applicable). 48VDC power supply uses 2.80 amperes AC maximum. All specifications subject to change without notice.



UNLESS OTHERWISE SPECIFIED:

DIMENSIONS ARE IN INCHES
 TOLERANCES:
 FRACTIONAL ± 1/32"
 ANGULAR: MACH ± .5 BEND ± 1
 TWO PLACE DECIMAL ± .02
 THREE PLACE DECIMAL ± .010

INTERPRET GEOMETRIC TOLERANCING PER:

MATERIAL

FINISH

DO NOT SCALE DRAWING

NAME	DATE
G.E.G.	

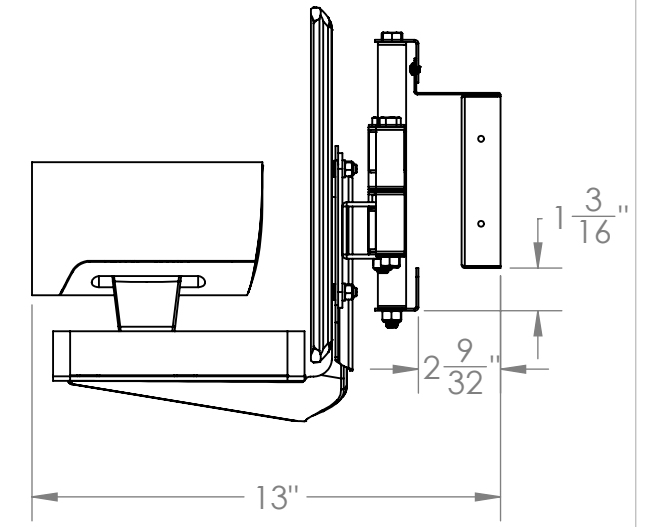
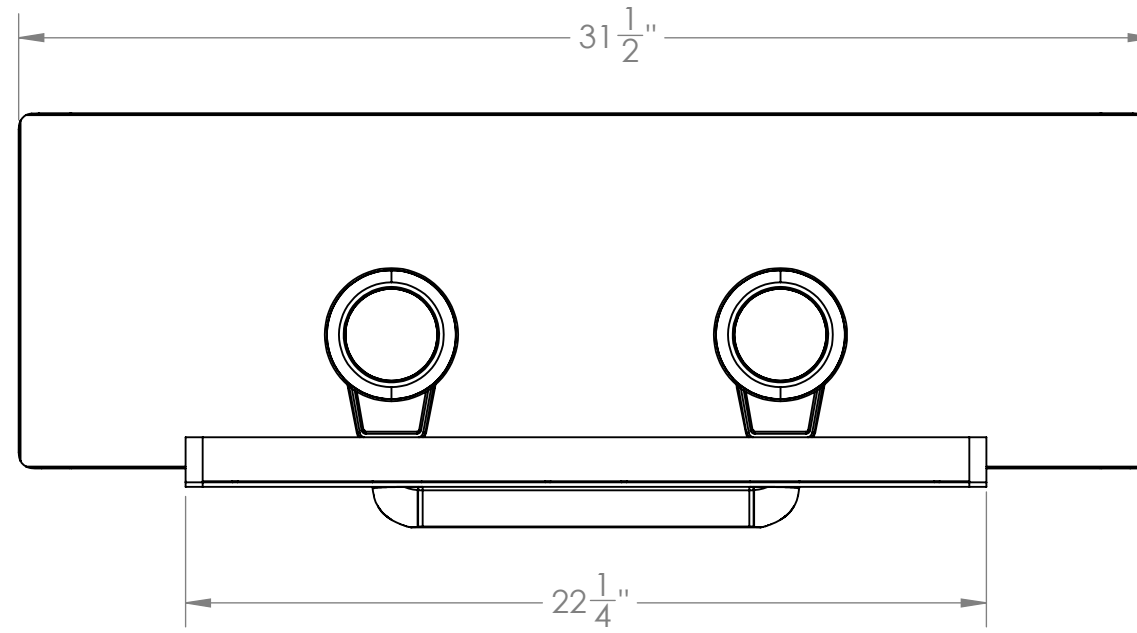
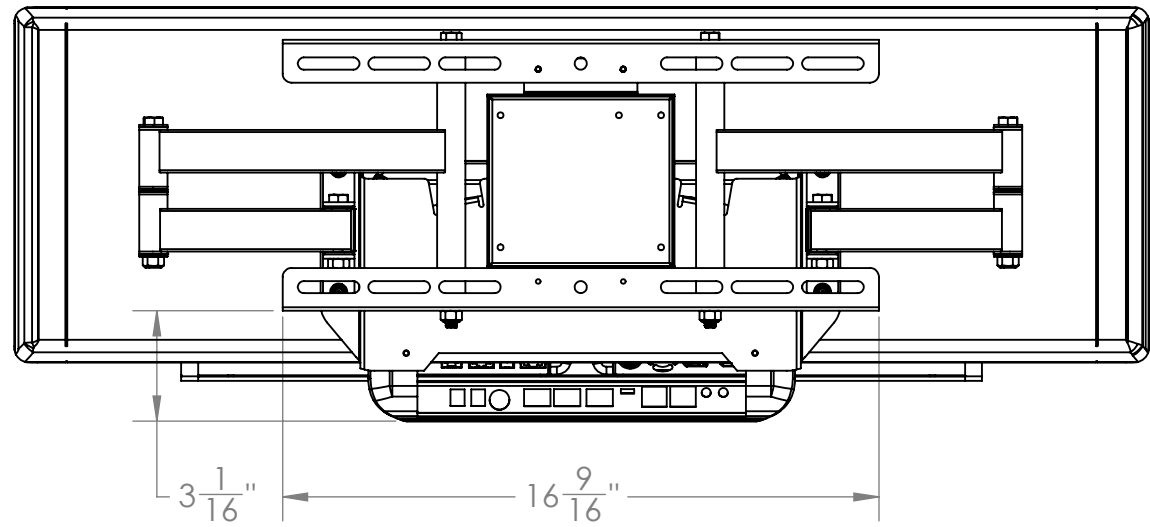
SCT Sound Control Technologies
 22 South Smith Street
 Norwalk, CT 06855
 (203) 854-5701
www.soundcontrol.net

TITLE:
RCA-ST6 Articulating Wall Mount
[Cisco SpeakerTrack 60]

SIZE	DWG. NO.	REV
B	S60RC6	

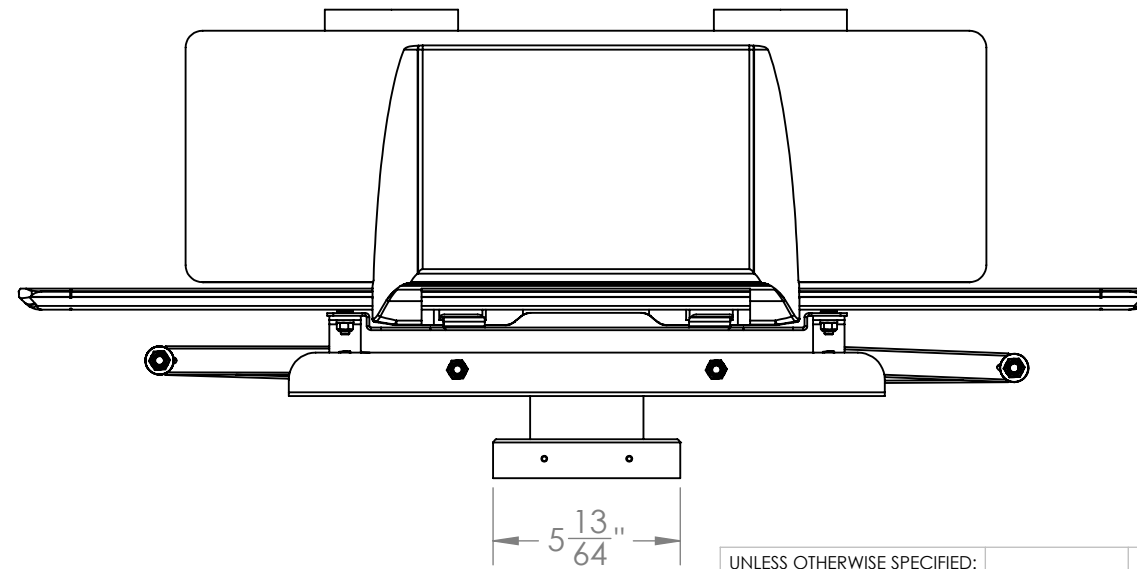
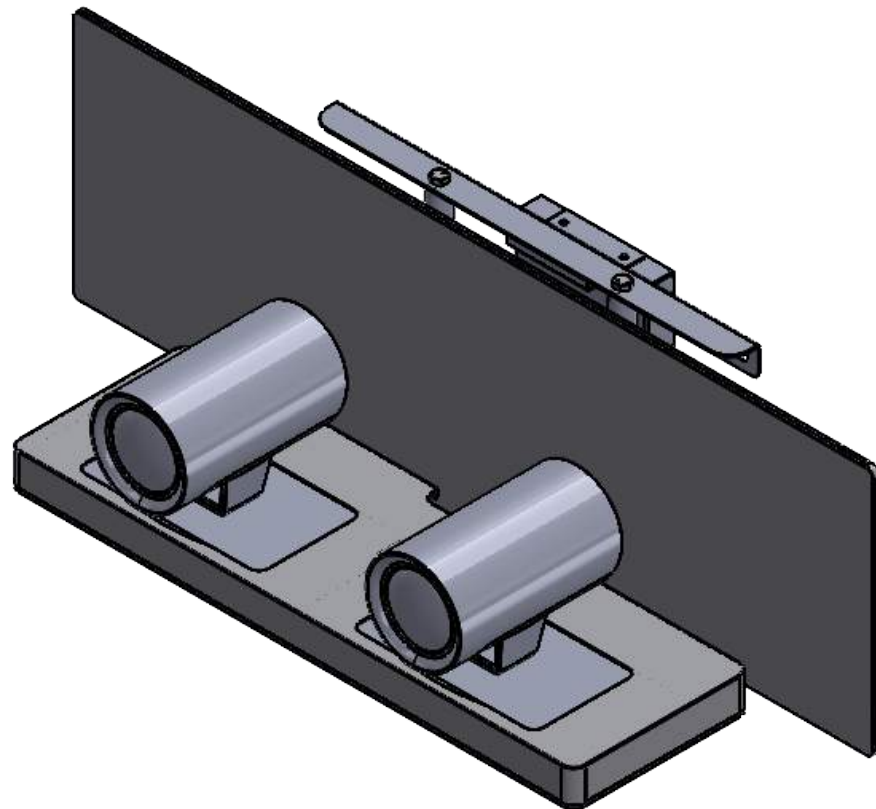
SCALE: 1:4 WEIGHT: SHEET 1 OF 2

PROPRIETARY AND CONFIDENTIAL
 THE INFORMATION CONTAINED IN THIS DRAWING IS THE SOLE PROPERTY OF Sound Control Tech. ANY REPRODUCTION IN PART OR AS A WHOLE WITHOUT THE WRITTEN PERMISSION OF Sound Control Tech. IS PROHIBITED.



A

A



PROPRIETARY AND CONFIDENTIAL
 THE INFORMATION CONTAINED IN THIS DRAWING IS THE SOLE PROPERTY OF Sound Control Tech. ANY REPRODUCTION IN PART OR AS A WHOLE WITHOUT THE WRITTEN PERMISSION OF Sound Control Tech. IS PROHIBITED.

UNLESS OTHERWISE SPECIFIED:

DIMENSIONS ARE IN INCHES
 TOLERANCES:
 FRACTIONAL ± 1/32"
 ANGULAR: MACH ±.5 BEND ±1
 TWO PLACE DECIMAL ±.02
 THREE PLACE DECIMAL ±.010

INTERPRET GEOMETRIC TOLERANCING PER:
 MATERIAL
 FINISH
 DO NOT SCALE DRAWING

	NAME	DATE
DRAWN	G.E.G.	
CHECKED		
ENG APPR.		
MFG APPR.		
Q.A.		
COMMENTS:		

SCT Sound Control Technologies
 22 South Smith Street
 Norwalk, CT 06855
 (203) 854-5701
www.soundcontrol.net

TITLE:
RCA-ST6 Articulating Wall Mount
 [Cisco SpeakerTrack 60]

SIZE	DWG. NO.	REV
B	S60RC6	
SCALE: 3:16 WEIGHT:		SHEET 2 OF 2